



# Fog Lights, Driving Lights, Headlights, Work Lights and Search Lights



Accessories for built-in headlights	4.37
Accessories for fog- and driving lights	4.28
Accessories for work lights	4.114-4.117
Built-in headlights	4.30-4.48
Driving lights	4.03-4.27
External-fitting headlights	4.49-4.56
Fog lights	4.03-4.27, 4.29
"5760" light series	4.57-4.58
"Oval 100" light series	4.59-4.66
"Oval 120" light series	4.67
"Module 120" light series	4.68-4.72
"Module 6213" light series	4.73-4.78
"7145" light series	4.79
Search lights	4.118
Work lights	4.02, 4.80-4.113

# Why worklights?

**Working at night - no problem with the right headlights.**

Special headlight types have been developed for this purpose:

Low-beam headlights and spotlights:  
for illuminating the road in road traffic.

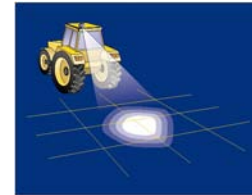
Fog lights:  
for poor visibility conditions in road traffic.

Worklights:  
for the illumination of a working area near the vehicle and away from public road traffic.

At the mounting height typical for work lighting (2.50 m), only worklights provide sufficient illumination of the working area. Standard vehicle lighting is nowhere near good enough! Outstanding features of a good worklight include the homogeneous illumination of as large an area as possible and a soft transition at the edge.



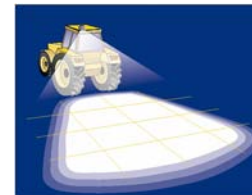
**Low beam**



**Spotlight**



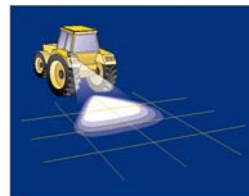
**Fog light**



**Work light**

## Active safety through proper illumination!

It's not only the selection of the correct type of headlight that is decisive for the choice of optimum worklight, but its correct positioning on the vehicle, too. Worklights shine at an angle to the surface they are illuminating. This means that even small changes in the angle of inclination and the mounting height have a great influence on the illumination of the working area. For large-surface illumination, the higher the mounting position the better.



**low mounting position**



**high mounting position**

## Legal notes:

According to FMVSS § 52 (7) [Germany], all multi-track vehicles may be equipped with one or more worklights.


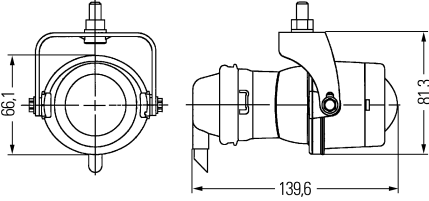


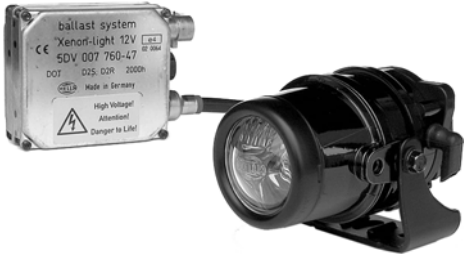
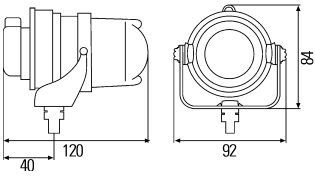
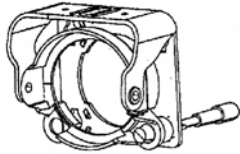


**Worklights must not be used when these vehicles are being driven on public roads, only when they are at a standstill, e.g. during loading and unloading.**

**Exceptions to this are made for vehicles used for constructing, maintaining or cleaning the roads or for waste disposal vehicles, if the action of driving is part of a working process.**


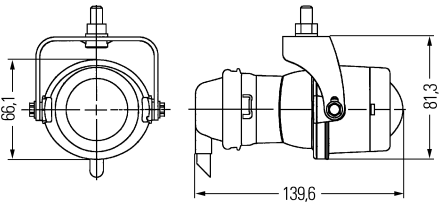

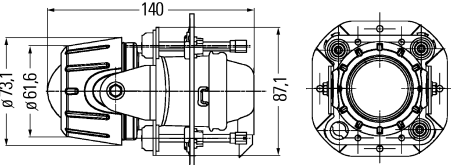


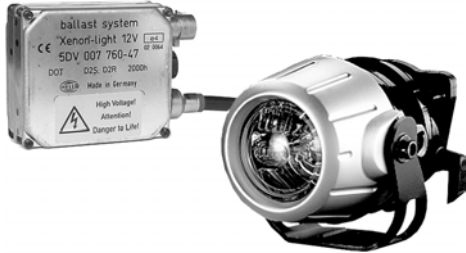
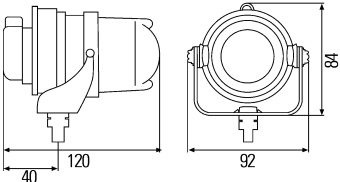
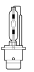
**Worklights may only be switched on as long as they do not dazzle other road users.**

**Worklights must be able to be switched on independently of all other headlights or lights, e.g. joint circuitry with the reverse light is not permitted. Hella provides special reversing spotlights for this purpose.**

**There are no special approval regulations, e.g. according to ECE or EC, since worklights may only be used when driving away from public roads.**





	Part no.	Pk.	Built-in lights
 	<p><b>1NL 008 090-821</b> 1</p> <p><b>1NL 008 090-831</b> 1</p> <hr/> <p><b>1NL 008 090-031</b> 1</p> <p><b>1NL 008 090-037</b> 60</p> <p><b>1NL 008 090-117</b> 1</p> <p><b>9GH 147 009-007</b> 30</p> <p><b>9HD 149 253-007</b> 1</p> <p><b>8JD 156 150-807</b> 1</p>		<p><b>Micro DE® *)</b></p> <p> 877</p> <p><b>DE®-H3 fog light set with black decorative rings</b></p> <p><b>with universal radio remote control unit</b></p> <hr/> <p><b>DE®-H3 fog light with black decorative ring, cap, bracket, fixing screws and 12V bulb</b></p> <p><b>with 24V bulb and black decorative ring</b></p> <p><b>Spare parts:</b> Rubber sealing cap</p> <p><b>Accessories:</b> Plastic sealing cap with cover, lead and plug Socket set</p> <p> 1x12V55W (H3) 8GH 002 090-133 1x24V70W (H3) 8GH 002 090-251</p>
  	<p><b>Ref. 17.5</b></p> <p><b>1F0 008 390-801</b> 1</p> <p><b>1F0 008 390-001</b> 1</p> <p><b>1F0 160 197-001</b> 1</p> <p><b>5DV 007 760-631</b> 1</p> <p><b>8JD 156 151-807</b> 1</p> <p><b>8HG 153 152-001</b> 1</p>		<p><b>DE®-Xenon</b></p> <p> 1120</p> <p><b>DE®-Xenon driving light set with black decorative rings, gas discharge bulbs, 12V ballast units, relays and lead set</b></p> <p><b>DE®-Xenon driving light with black decorative ring, gas discharge bulb, 12V ballast unit, relay and lead set</b></p> <p><b>Spare parts:</b> Light unit without gas discharge bulb and ballast unit Ballast unit, 12V</p> <p><b>Accessories:</b> Socket set (20 pcs.) Convenience mount with adjustment screw</p> <p> 1x35W (D2S) 8GS 007 949-101</p>

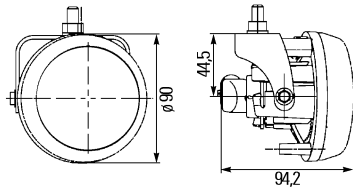
\*) Micro work lights see page 4.104


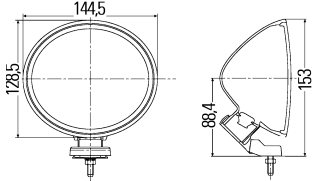


	Part no.	Pk.	Built-in lights
 	1NL 008 090-871	1	<b>Micro DE® Premium *)</b> (E1) 877
	1NL 008 090-301	1	DE®-H3 fog light with 12V bulb, black housing, cap, alu-ring, designpanels, universal radio remote control unit, holder and relays with cable
 	1NL 008 090-317 **)	24	DE®-H3 fog light with 12V bulb, black housing, cap, alu-ring and holder, without designpanel
	1NL 008 090-327 **)	24	DE®-H3 fog light with 24V bulb, black housing, cap, alu-ring and holder, without designpanel
	9GH 147 009-007	30	<b>Spare parts:</b> Rubber sealing cap
	9HD 149 253-007	1	<b>Accessories:</b> Plastic sealing cap with cover, lead and plug
	9AH 161 786-017	12	Supporting frame for -317/-327
	8JD 156 150-807	1	Socket set (20 pcs.)
			 1x12V55W (H3) 8GH 002 090-133  1x24V70W (H3) 8GH 002 090-251
 	Ref. 17.5		<b>Micro DE®-Xenon Premium</b> (E1) 1120
	1F0 008 390-821	1	DE®-Xenon driving light set with black housing, alu-ring, designpanels, gas discharge bulbs and 12V ballast units
	1F0 008 390-301	1	DE®-Xenon driving light with black housing, alu-ring, designpanel, gas discharge bulb and 12V ballast unit
	1F0 160 197-001	1	<b>Spare parts:</b> Light unit
	5DV 007 760-631	1	Ballast unit, 12V
			 1x35W (D2S) 8GS 007 949-101


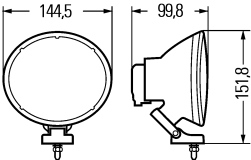


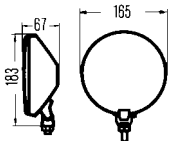

\*) Micro work lights see page 4.104


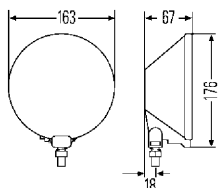

\*\*) Supporting frame not supplied with light, see accessories

	Part no.	Pk.	For pendant mounting
			<b>Cornering Light</b>
			(E1) 1951
	1N0 009 295-801	1	H7-fog-/tracking headlight set with 12V bulbs and tracking headlight unit
	5DF 009 244-007	24	<b>Spare parts:</b> Tracking headlight unit
			 2x12V55W (H7) 8GH 007 157-121
			<hr/>
	1N0 009 295-011	1	H7-fog-/tracking headlight with bracket and 12V bulb, left
	1N0 009 295-021	1	right
	1N0 009 295-031	1	with supporting frame and 12Vbulb, left
	1N0 009 295-037	36	
	1N0 009 295-041	1	right
	1N0 009 295-047	36	
	1N0 009 295-057	1	with supporting frame and 24Vbulb, left
	1N0 009 295-067	1	right
	5DF 009 244-007	24	<b>Accessories:</b> Tracking headlight unit
			 1x12V55W (H7) 8GH 007 157-121  1x24V70W (H7) 8GH 007 157-241


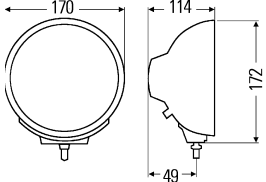

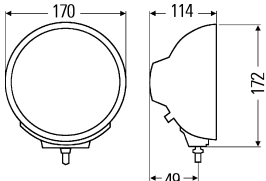




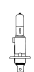
	Part no.	Pk.	For upright mounting
	<p>1N4 007 893-821</p> <p>1N4 007 893-001</p> <p>1N4 007 893-181</p> <p>1N4 149 531-011</p> <p>4RA 003 510-081</p> <p>6EH 007 946-001</p>	<p>1</p> <p>1</p> <p>1</p> <p>1</p> <p>1</p> <p>1</p> <p>1</p>	<p><b>Comet FF 200</b></p> <p>(E1) 645</p> <p><b>H3 fog light set with 12V bulbs, relay, cable set, on/off switch and basalt grey body</b></p> <p><b>H3 fog light with 12V bulb and ivory body</b></p> <p><b>without 12V bulb, with chrome-plated body</b></p> <p><b>Spare parts:</b>                      Light unit with 12V bulb for -821/-001                      Normally-open relay for -821                      Switch for -821</p>
	<p><b>Ref. 37.5</b></p> <p>1F4 007 893-811</p> <p>1F4 007 893-841</p> <p>1F4 007 893-021</p> <p>1F4 007 893-081</p> <p>1F4 007 893-191</p>	<p>1</p> <p>1</p> <p>1</p> <p>1</p> <p>1</p> <p>1</p>	<p>(E1) 646 Ref. 37.5      (E1) 647 Ref. 17.5</p> <p><b>H3 driving light set with 12V bulbs, relay, cable set, on/off switch and ivory body</b></p> <p><b>with 12V bulbs, relay, cable set, on/off switch and basalt grey body</b></p> <p><b>H3 driving light with 12V bulb and ivory body</b></p> <p><b>with 12V bulb and basalt grey body</b></p> <p><b>without 12V bulb, with chrome-plated body</b></p>
	<p><b>Ref. 17.5</b></p> <p>1F4 007 893-921</p> <p>1F4 007 893-911</p> <p>1F4 007 893-201</p> <p>1F4 007 893-241</p> <p>1F4 149 537-011</p> <p>1F4 162 883-011</p> <p>1F4 160 300-011</p> <p>1F4 160 302-011</p> <p>4RA 003 510-081</p> <p>6EH 007 946-001</p>	<p>1</p> <p>1</p> <p>1</p> <p>1</p> <p>1</p> <p>1</p> <p>1</p> <p>1</p> <p>1</p> <p>1</p> <p>1</p> <p>1</p> <p>1</p> <p>1</p>	<p><b>H3 driving light set with 12V bulbs, relay, cable set, on/off switch and ivory body</b></p> <p><b>with 12V bulbs, relays, cable set, on/off switch and basalt grey body</b></p> <p><b>H3 driving light without 12V bulb, with chrome-plated body</b></p> <p><b>without 12V bulb, with chrome-plated body and blue lens</b></p> <p><b>Spare parts:</b>                      Light unit with 12V bulb for -811/-841/-021/-081 for -241                      Light unit without 12V bulb for -191 for -201                      Normally-open relay for -811/-841/-921/-911                      Switch for -811/-841/-921/-911</p> <p> 1x12V55W (H3) 8GH 002 090-133</p>

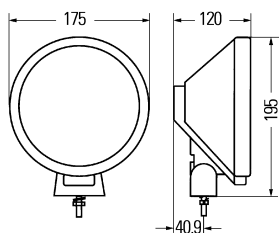
	Part no.	Pk.	For upright mounting
 	Ref. 37.5 1F4 007 893-871 1F4 007 893-141 1F4 157 022-011 5DV 007 760-631	1 1 1 1 1	<b>Comet 200 Xenon</b> (E1) 646 <b>Xenon driving light set, with antracit body, silver coloured rim, gas discharge bulbs and 12V ballast unit</b> <b>Xenon driving light, with antracit body, silver coloured rim, gas discharge bulb and 12V ballast unit</b> <b>Spare parts:</b> Light unit Ballast unit, 12V  1x35W (D2S) 8GS 007 949-101
 	1N4 002 608-021 1F4 002 608-001	1 1	<b>Classic 160</b> (E1) 915 <b>H3 fog light, 12V, with chrome-plated body</b> (E1) 14521 <b>H3 driving light, 12V, with chrome-plated body</b>  1x12V55W (H3) 8GH 002 090-133

	Part no.	Pk.	For upright mounting
  			<b>Comet 500</b>
			(E1) 18213
	1N4 005 750-801	1	H3 fog light set, 12V, with bulbs, white, relay and on/off switch
	1N4 005 750-001	1	H3 fog light, 12V, without bulb, white
	1N4 005 750-041	1	H3 fog light, 12V, without bulb, yellow
	1N4 135 224-011	1	<b>Spare parts:</b> Light unit, white
	6EG 001 567-041	10	On/off switch
	<hr/>		
			(E1) 44404 Ref. 37.5 (E1) 44405 Ref. 17.5
	Ref. 37.5		
	1F4 005 750-811	1	H3 driving light set, 12V, with bulbs, white
	1F4 005 750-831	1	H3 driving light set, 12V, with bulbs and cap, white
	Ref. 17.5		
	1F4 005 750-871	1	H3 driving light set, 12V, with bulbs, white
	Ref. 37.5		
1F4 005 750-011	1	H3 driving light, 12V, without bulb, white	
Ref. 17.5			
1F4 005 750-071	1	H3 driving light, 12V, without bulb, white	
Ref. 37.5			
1F4 005 750-301	1	H3 driving light, 12V, with bulb and smoke coloured lens, white	
			<b>Spare parts:</b> Light unit, white, for -811/-831/-011
1F4 135 230-011	1		 1x12V55W (H3) 8GH 002 090-133


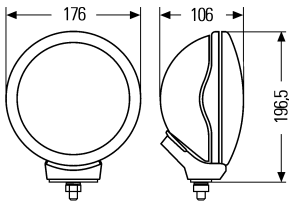



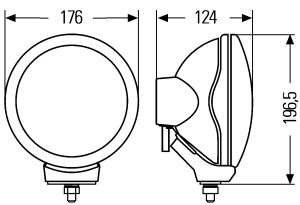




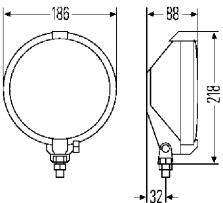




	Part no.	Pk.	For upright mounting
 	<p>Ref. 37.5 1F1 009 094-041</p> <p>Ref. 17.5 1F1 009 094-081</p>	<p>1</p> <p>1</p>	<p><b>Luminator Compact CELIS®</b></p> <p>Ⓔ1 1901 Ref. 37.5    Ⓔ1 1902 Ref. 17.5</p> <p><b>Black die-cast zinc body, rim and bracket. Lens with clear-glass look.</b></p> <p><b>H1 driving light, 12V/24V, with CELIS® side light incl. LEDs</b></p> <p><b>H1 driving light, 12V/24V, with CELIS® side light incl. LEDs</b></p>
 	<p>Ref. 37.5 1F1 009 094-051</p> <p>Ref. 17.5 1F1 009 094-091</p> <p>1F1 161 825-021 1F1 161 825-041</p> <p>9AG 161 844-011 9AG 161 844-021</p>	<p>1</p> <p>1</p> <p>1</p> <p>1</p> <p>1</p> <p>1</p>	<p><b>Chrome-plated die-cast zinc body, rim and bracket. Lens with clear-glass look.</b></p> <p><b>H1 driving light, 12V/24V, with CELIS® side light incl. LEDs</b></p> <p><b>H1 driving light, 12V/24V, with CELIS® side light incl. LEDs</b></p> <p><b>Spare parts:</b> Light unit for -041/-051/-201 for -081/-091</p> <p>Rim for -041/-081 for -051/-091</p> <p> 1x12V55W (H1) 8GH 002 089-133 1x24V70W (H1) 8GH 002 089-251</p>

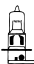
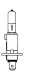

	Part no.	Pk.	For upright mounting
	<p>1N3 009 094-001</p> <p>Ref. 37.5 1F3 009 094-021</p> <p>Ref. 17.5 1F3 009 094-061</p>	<p>1</p> <p>1</p> <p>1</p>	<p><b>Luminator Compact</b> Black die-cast zinc body, rim and bracket. Lens with clear-glass look.</p> <p>(E1) 1901</p> <p><b>H7 fog light, 12V/24V</b></p> <hr/> <p>(E1) 1901 Ref. 37.5 (E1) 1902 Ref. 17.5</p> <p><b>H1 driving light, 12V/24V</b></p> <hr/> <p><b>H1 driving light, 12V/24V</b></p>
	<p>1N3 009 094-011</p> <p>Ref. 37.5 1F3 009 094-031 1F3 009 094-171</p> <p>Ref. 17.5 1F3 009 094-071</p>	<p>1</p> <p>1</p> <p>1</p> <p>1</p>	<p><b>Chrome plated die-cast zinc body, rim and bracket. Lens with clear-glass look.</b></p> <p>(E1) 1901</p> <p><b>H7 fog light, 12V/24V</b></p> <hr/> <p>(E1) 1901 Ref. 37.5 (E1) 1902 Ref. 17.5</p> <p><b>H1 driving light, 12V/24V</b></p> <p><b>with blue lens, 12V/24V</b></p> <p><b>H1 driving light, 12V/24V</b></p>
	<p>1F3 161 825-011 1F3 161 825-031 1F3 161 825-081 1N3 161 825-001</p> <p>9AG 161 844-011 9AG 161 844-021</p>	<p>1 1 1 1</p> <p>1 1</p>	<p><b>Spare parts:</b> Light unit for -021/-031 for -061/-071 for -171 for -001/-011</p> <p>Rim for -001/-021/-061 for -011/-031/-071/-171</p> <p> 1x12V55W (H1) 8GH 002 089-133 1x24V70W (H1) 8GH 002 089-251</p> <p> 1x12V55W (H7) 8GH 007 157-121 1x24V70W (H7) 8GH 007 157-241</p>
 	<p>1F3 009 094-142</p> <p>1F3 161 825-071 9AG 161 844-011</p>	<p>1</p> <p>1 1</p>	<p><b>Luminator Compact Xenon</b> Black die-cast zinc body, rim and bracket. Lens with clear-glass look.</p> <p>(E1) 2087</p> <p><b>Xenon driving light with discharge bulb and 12V ballast unit</b></p> <p><b>Spare parts:</b> Light unit Rim</p> <p> 1x35W (D1S) 8GS 009 028-001</p>

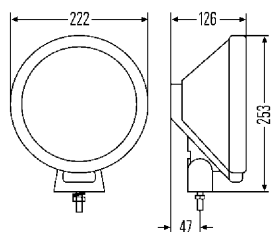




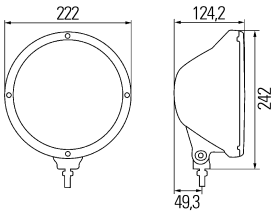
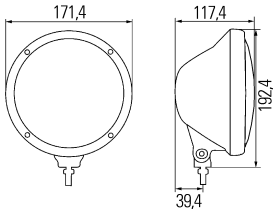



Part no.	Pk.	For upright mounting
		<b>Rallye 3000 Compact</b>
		(E1) 1901
		Black plastic body, silver coloured rim with chrome applications. Lens with clear-glass look.
1N3 009 390-001	1	H7 fog light, 12V/24V, without bulb
Ref. 37.5		(E1) 1901
1F3 009 390-011	1	H1 driving light, 12V/24V, without bulb
1F3 009 390-051	1	with blue lens, 12V/24V, without bulb
Ref. 17.5		
1F3 009 390-031	1	H1 driving light, 12V/24V, without bulb
Ref. 37.5		(E1) 1901
1F1 009 390-021	1	H1 driving light, 12V/24V, with CELIS® side light incl. LEDs, without bulb
Ref. 17.5		
1F1 009 390-041	1	H1 driving light, 12V/24V, with CELIS® side light incl. LEDs, without bulb
		<b>Spare parts:</b>
1N3 161 825-001	1	Light unit for -001
1F3 161 825-011	1	for -011
1F3 161 825-081	1	for -051
1F3 161 825-031	1	for -031
1F1 161 825-021	1	for -021
9AG 162 940-001	1	Rim
		1x12V55W (H1) 8GH 002 089-133 1x24V70W (H1) 8GH 002 089-251
		1x12V55W (H7) 8GH 007 157-121 1x24V70W (H7) 8GH 007 157-241




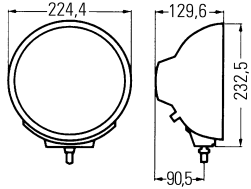


  	<p>Part no.</p>  <p>Ref. 37.5</p> <p>1F5 008 273-001</p> <p>1F5 008 273-071</p>  <p>Ref. 17.5</p> <p>1F5 008 273-011</p>  <p>1F5 154 522-001</p>  <p>8HG 157 007-001</p>	<p>Pk.</p>  <p>1</p> <p>1</p>  <p>1</p>  <p>1</p>  <p>1</p>	<p><b>For upright mounting</b></p> <p><b>Rallye 1000 FF®</b></p> <p>(E1) 999</p> <p>With black/silver coloured body. Lens with clear-glass look.</p> <p>H1 driving light, 12V/24V, without side light</p> <p>with side light</p> <hr/> <p>(E1) 1000</p> <p>H1 driving light, 12V/24V</p> <p><b>Spare parts:</b> Light unit for -001</p> <p><b>Accessories:</b> Holder with gasket for 001/-011/-071</p> <p> 1x12V55W (H1) 8GH 002 089-133 1x24V70W (H1) 8GH 002 089-251</p> <p> 1x12V4W (T4W) 8GP 002 067-121 1x24V4W (T4W) 8GP 002 067-241</p>
  	<p>Ref. 37.5</p> <p>1F5 008 273-041</p>  <p>1F5 154 875-011</p> <p>5DV 007 760-631</p>	<p>1</p>  <p>1</p> <p>1</p>	<p><b>Rallye 1000 Xenon</b></p> <p>(E1) 999</p> <p>Black/red body. Lens with clear-glass look.</p> <p>Xenon driving light with gas discharge bulb and 12V ballast unit</p> <p><b>Spare parts:</b> Light unit Ballast unit, 12V</p> <p> 1x35W (D2S) 8GS 007 949-101</p>

	Part no.	Pk.	For upright or pendant mounting
  	<b>1N7 004 700-281</b>	1	<b>Rallye 1000</b> (E1) 8390 <b>Black plastic body and rim.</b>  <b>H3 fog light, with rim and 12V bulb, white</b>   1x12V55W (H3) 8GH 002 090-133
	Ref. 17.5 <b>1F7 004 700-321</b>	1	(E1) 34553 (E1) 348  <b>H2 driving light, 12V, with rim, without bulb, white</b>
	Ref. 37.5 <b>1F7 004 700-391</b>	1	(E1) 34518  <b>H2 driving light, 12V, with rim, without bulb, white</b>
	<b>1F7 004 700-031</b>	1	<b>with 12V bulb, without rim, white</b>
	<b>1F7 004 700-071</b>	1	<b>with 12V bulb, without rim, yellow</b>
  	Ref. 17.5 <b>1F7 004 700-431</b>	1	(E1) 34553 (E1) 348  <b>H2 driving light, 12V, with black lens (Colour-Design), and rim, without bulb, white</b>
	<b>1F7 146 713-001</b>	1	<b>Spare parts:</b> Light unit   1x12V55W (H2) 8GH 002 857-121

Part no.	Pk.	For upright or pendant mounting
<b>1N8 006 800-001</b>	1	<b>Rallye 3000</b> (E1) 18245 <b>Black plastic body and rim.</b> <b>H3 fog light, 12V/24V</b>  1x12V55W (H3) 8GH 002 090-133 1x24V70W (H3) 8GH 002 090-251
Ref. 37,5		
<b>1F8 006 800-191</b>	1	(E1) 44484 Ref. 37,5      (E1) 303 Ref. 17,5 <b>H1 driving light, 12V/24V, with side light</b>
<b>1F8 006 800-301</b>	1	<b>H1 driving light, 12V/24V, lens with clear-glass look, without side light</b>
<b>1F8 006 800-311</b>	1	<b>lens with clear-glass look, with side light</b>
Ref. 17,5		
<b>1F8 006 800-181</b>	1	<b>H1 driving light, 12V/24V, lens with clear-glass look, without side light</b>
<b>1F8 006 800-361</b>	1	<b>lens with clear-glass look, without side light</b>
<b>1F8 006 800-341</b>	1	<b>lens with clear-glass look, with side light</b>
<b>1F8 006 800-401</b>	1	<b>lens with clear-glass look, with CELIS® side light, incl. LEDs</b>
Ref. 37,5		
<b>1F8 006 800-221</b>	1	<b>Rallye 3000 Blue</b> <b>Black plastic body, silver lens-retaining rim with blue stripes.</b> <b>H1 driving light, 12V/24V, with blue lens and side light</b>
<b>1F8 006 800-321</b>	1	<b>blue lens with clear-glass look, with side light</b>
Ref. 17,5		
<b>1F8 006 800-331</b>	1	<b>blue lens with clear-glass look, without side light</b>
<b>1F8 006 800-351</b>	1	<b>blue lens with clear-glass look, with side light</b>
<b>Spare parts:</b> Light unit		
1N8 142 350-011	1	for -001
1F8 147 077-011	1	for -191
1F8 162 872-011	1	for -301
1F8 162 873-011	1	for -311
1F8 157 042-011	1	for -221
1F8 162 874-011	1	for -321
1F8 165 940-011	1	for -331
1F8 165 941-011	1	for -341
1F8 165 942-011	1	for -351
1F8 165 943-011	1	for -361
9AG 141 819-001 9AG 141 819-011	6	Lens-retaining rim for -181/-191 for -221/-321
9AG 141 819-041	1	for -301/-311/-331/-341/-351/-361
9AG 162 938-001	1	for -401
<b>8HG 116 741-801</b>	1	<b>Accessories:</b> Bracket for two-point fixing (2 pcs.)
<b>8KA 002 309-811</b>	1	Cable set
		 1x12V55W (H1) 8GH 002 089-133 1x24V70W (H1) 8GH 002 089-251
		 1x12V5W (W5W) 8GP 003 594-121 1x24V5W (W5W) 8GP 003 594-251




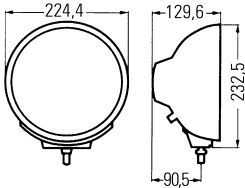





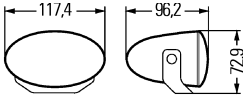


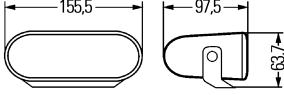

 			Part no.	Pk.	<b>For upright or pendant mounting</b>
			<b>Rallye 3003</b> (E1) 1928 Ref. 37.5 (E1) 2254 Ref. 17.5 <b>Black body, silver lens-retaining rim.</b> <b>Ref. 37.5</b> <b>1F8 009 797-021</b> 1 <b>H1 driving light, 12V/24V, lens with clear-glass look, with side light</b> <b>1F8 009 797-031</b> 1 <b>blue lens with clear-glass look, with side light</b> <b>Ref. 17.5</b> <b>1F8 009 797-121</b> 1 <b>H1 driving light, 12V/24V, lens with clear-glass look, with side light</b> <b>1F8 009 797-131</b> 1 <b>blue lens with clear-glass look, with side light</b> <b>Spare parts:</b> 9AG 168 666-001 6 Lens-retaining rim  1x12V55W (H1) 8GH 002 089-133 1x24V70W (H1) 8GH 002 089-251  1x12V5W (W5W) 8GP 003 594-121 1x24V5W (W5W) 8GP 003 594-251		
			<b>Rallye 3003 Compact</b> (E1) 1902 <b>Black body, silver lens-retaining rim.</b> <b>Ref. 37.5</b> <b>1F3 010 119-011</b> 1 <b>H1 driving light, 12V/24V, lens with clear-glass look</b> <b>1F3 010 119-021</b> 1 <b>blue lens with clear-glass look</b> <b>Ref. 17.5</b> <b>1F3 010 119-001</b> 1 <b>H1 driving light, 12V/24V, lens with clear-glass look</b>  1x12V55W (H1) 8GH 002 089-133 1x24V70W (H1) 8GH 002 089-251		


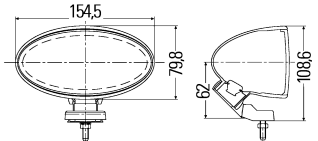

	Part no.	Pk.	For upright mounting
	<p><b>1N8 007 560-031</b></p> <p>1N8 148 103-011 9AG 147 939-011</p>	<p>1</p> <p>1</p> <p>1</p>	<p><b>Luminator-Metal</b></p> <p>(E1) 18245</p> <p><b>H3 fog light, 12V/24V, with bracket, black die-cast zinc body and lens-retaining rim</b></p> <p><b>Sparte parts:</b> Light unit Lens-retaining rim</p> <p> 1x12V55W (H3) 8GH 002 090-133 1x24V70W (H3) 8GH 002 090-251</p> <hr/> <p>(E1) 44484 Ref. 37.5      (E1) 303 Ref. 17.5</p>
  	<p><b>Ref. 37.5</b></p> <p><b>1F8 007 560-041</b></p> <p><b>1F8 007 560-301</b></p> <p><b>Ref. 17.5</b></p> <p><b>1F8 007 560-011</b></p> <p>1F8 148 131-011 1F8 162 870-011 1F8 148 009-011 9AG 147 939-011</p> <p><b>8HG 116 741-801</b> <b>8KA 148 541-001</b></p>	<p>1</p> <p>1</p> <p>1</p> <p>1</p> <p>1</p> <p>1</p> <p>1</p> <p>1</p> <p>1</p>	<p><b>H1 driving light, 12V/24V, patterned cover lens, with side light</b></p> <p><b>lens with clear-glass look, with side light</b></p> <p><b>H1 driving light, 12V/24V, patterned cover lens, with side light</b></p> <p><b>Spare parts:</b> Light unit for -041 for -301 for -011 Lens-retaining rim</p> <p><b>Accessories:</b> Bracket for two-point fixing (2 pcs.) Cable set with relay for electrical connection, 12V</p> <p> 1x12V55W (H1) 8GH 002 089-133 1x24V70W (H1) 8GH 002 089-251</p> <p> 1x12V5W (W5W) 8GP 003 594-121 1x24V5W (W5W) 8GP 003 594-251</p>


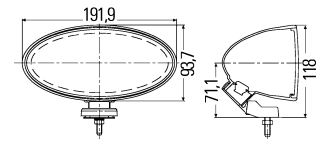





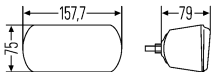

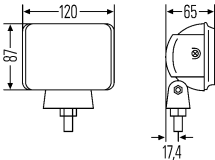

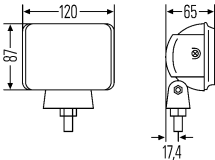

	<p><b>Part no.</b></p> <p><b>Ref. 17.5</b></p> <p><b>1F8 007 560-201</b></p> <p><b>1F8 161 326-011</b></p>	<p><b>Pk.</b></p> <p>1</p> <p>1</p>	<p><b>For upright mounting</b></p> <p><b>Luminator-Metal CELIS®</b></p> <p>(E1) 18245</p> <p><b>H1 driving light, 12V/24V, black die-cast cinc body, lens-retaining rim and bracket, with side light in CELIS® technology incl. LEDs</b></p> <p><b>Spare parts:</b> Light unit</p> <p> 1x12V55W (H1) 8GH 002 089-133  1x24V70W (H1) 8GH 002 089-251</p>
	<p><b>1F8 007 560-561</b></p> <p><b>1F8 007 560-571</b></p> <p>1F8 149 644-011</p> <p>9AG 147 939-031</p> <p>5DV 007 760-631</p> <p>5DV 007 810-171</p>	<p>1</p> <p>1</p> <p>1</p> <p>1</p> <p>1</p> <p>1</p>	<p><b>Luminator Xenon</b></p> <p>(E1) 844</p> <p><b>Xenon driving light, red/black body, red lens-retaining rim and bracket made of die-cast cinc, with gas discharge bulb and 12V ballast unit</b></p> <p><b>with gas discharge bulb and 24V ballast unit</b></p> <p><b>Spare parts:</b> Light unit Lens-retaining rim Ballast unit, 12V 24V</p> <p> 1x35W (D2S) 8GS 007 949-101</p>
	<p><b>1F8 007 560-621</b></p> <p><b>1F8 007 560-631</b></p> <p>1F8 165 949-011</p> <p>9AG 147 939-031</p> <p>5DV 008 855-001</p> <p>5DV 008 856-001</p> <p><b>8HG 116 741-801</b></p>	<p>1</p> <p>1</p> <p>1</p> <p>1</p> <p>1</p> <p>1</p>	<p>(E1) 2255</p> <p><b>Xenon driving light, black body and bracket, red lens-retaining rim made of die-cast cinc, lens with clear-glass look, with gas discharge bulb and 12V ballast unit</b></p> <p><b>with gas discharge bulb 24V ballast unit</b></p> <p><b>Spare parts:</b> Light unit Lens-retaining rim Ballast unit, 12V 24V</p> <p><b>Accessories:</b> Bracket for two-point fixing (2 pieces)</p> <p> 1x35W (D1S) 8GS 009 028-001</p>
	<p><b>Ref. 17.5</b></p> <p><b>1F8 007 560-211</b></p> <p><b>1F8 161 326-011</b></p>	<p>1</p> <p>1</p>	<p><b>Luminator Chromium CELIS®</b></p> <p>(E1) 1753</p> <p><b>H1 driving light, 12V/24V, chrome-plated die cast cinc body, lens-retaining rim and bracket, lens with clear-glass look, with side light in CELIS® technology incl. LEDs</b></p> <p><b>Spare parts:</b> Light unit</p> <p> 1x12V55W (H1) 8GH 002 089-133  1x24V70W (H1) 8GH 002 089-251</p>


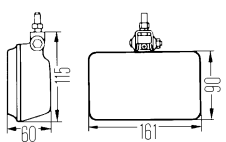

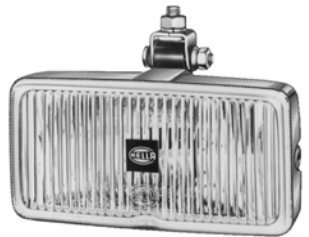


	Part no.	Pk.	For upright mounting
	<b>1N8 007 560-021</b>	1	<b>Luminator-Chromium</b> (E1) 18245 <b>H3 fog light, 12V, chrome-plated, die-cast zinc body, bracket and lens-retaining rim</b>  <b>Spare parts:</b> Light unit Lens-retaining rim   1x12V55W (H3) 8GH 002 090-133 1x24V70W (H3) 8GH 002 090-251
	Ref. 37.5 <b>1F8 007 560-051</b> <b>1F8 007 560-311</b>  Ref. 17.5 <b>1F8 007 560-341</b>	1 1 1	<b>H1 driving light, 12V, chrome-plated, die-cast zinc body, bracket and lens-retaining rim, with side light, patterned cover lens</b>  <b>lens with clear-glass look</b>  <b>lens with clear-glass look, with side light, without bulb</b>
	Ref. 37.5 <b>1F8 007 560-131</b> <b>1F8 007 560-321</b>  Ref. 17.5 <b>1F8 007 560-331</b>  1F8 148 131-011 1F8 162 870-011 1F8 158 926-011 1F8 162 871-011 1F8 165 946-011 1F8 165 947-011 9AG 147 939-021	1 1 1 1 1 1 1 1 1	(E1) 44484  <b>With side light and blue, patterned cover lens</b>  <b>with blue lens and clear-glass look</b>  <b>with side light and blue lens with clear-glass look</b>  <b>Spare parts:</b> Light unit for -051 for -311 for -131 for -321 for -331 for -341 Lens-retaining rim
	<b>8HG 116 741-801</b> <b>8KA 148 541-001</b>	1 1	<b>Accessories:</b> Bracket for two-point fixing (2 pieces) Cable set with relay for electrical connection, 12V   1x12V55W (H1) 8GH 002 089-133 1x24V70W (H1) 8GH 002 089-251   1x12V5W (W5W) 8GP 003 594-121 1x24V5W (W5W) 8GP 003 594-251

	Part no.	Pk.	For upright mounting
  			<b>FF® 50</b> (E1) 1209 <b>Black plastic body.</b>
	1NA 008 283-801	1	<b>H7 fog light set, 12V, with bulbs, relay, switch and cable set</b>
	1NA 008 283-001	1	<b>H7 fog light, 12V, with bulb</b>
	Ref. 12.5		(E1) 1210
	1FA 008 283-811	1	<b>H7 driving light set, 12V, with bulbs, relay, switch and cable set</b>
	Ref. 12.5		
	1FA 008 283-011	1	<b>H7 driving light, 12V, with bulb</b>
	1FA 008 283-861	1	<b>H7 driving light set, 12V, with blue lenses, bulbs, relay, switch and cable set</b>
	1FA 008 283-031	1	<b>H7 driving light, 12V, with blue lens and bulb</b>
			 1x12V55W (H7) 8GH 007 157-121
  			<b>FF® 75</b> (E1) 1211
	1NA 008 284-801	1	<b>H7 fog light set, 12V, with bulbs, relay, switch and cable set</b>
	1NA 008 284-001	1	<b>H7 fog light, 12V, with bulb</b>
	Ref. 12.5		(E1) 1212
	1FA 008 284-811	1	<b>H7 driving light set, 12V, with bulbs, relay, switch and cable set</b>
	Ref. 12.5		
	1FA 008 284-011	1	<b>H7 driving light, 12V, with bulb</b>
	1FA 008 284-861	1	<b>H7 driving light set, 12V, with blue lenses, bulbs, relay, switch and cable set</b>
	1FA 008 284-031	1	<b>H7 driving light, 12V, with blue lens and bulb</b>
			 1x12V55W (H7) 8GH 007 157-121

	Part no.	Pk.	For upright mounting
	<p>1NA 007 891-821</p> <p>1NA 007 891-041</p>	<p>1</p> <p>1</p>	<p><b>Comet FF® 100</b></p> <p>Ⓔ1 650</p> <p><b>H3 fog light set, 12V, basalt grey body, with bulbs, relay and on/off switch</b></p> <p><b>H3 fog light, 12V, basalt grey body, with bulb</b></p> <p><b>Spare parts:</b>                      1NA 149 501-011 1 Light unit with 12V bulb                      4RA 003 510-081 1 Normally-open relay for -821</p>
	<p>1FA 007 891-811</p> <p>1FA 007 891-841</p> <p>1FA 007 891-061</p> <p>1FA 149 504-011</p> <p>4RA 003 510-081</p>	<p>1</p> <p>1</p> <p>1</p> <p>1</p> <p>1</p>	<p>Ⓔ1 651</p> <p><b>H3 driving light set, 12V, ivory body, with bulbs, relay and on/off switch</b></p> <p><b>H3 driving light set, 12V, basalt grey body, with bulbs, relay and on/off switch</b></p> <p><b>H3 driving light, 12V, basalt grey body, with bulb</b></p> <p><b>Spare parts:</b>                      1FA 149 504-011 1 Light unit with 12V bulb                      4RA 003 510-081 1 Normally-open relay for -811/-841</p> <p> 1x12V55W (H3) 8GH 002 090-133</p>


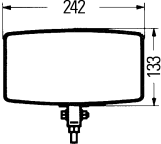


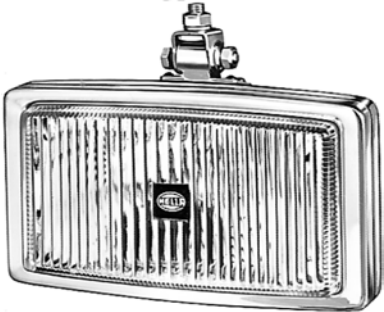
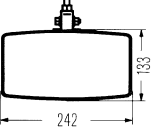


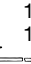
	Part no.	Pk.	For upright or pendant mounting
			<p><b>Comet FF® 300</b></p>
	1NB 007 892-821	1	<p>Ⓔ1 648</p> <p>H3 fog light set, 12V, basalt grey body, with bulbs, relay and on/off switch</p>
	1NB 007 892-001	1	<p>H3 fog light, 12V, ivory body, with bulb</p>
	1NB 007 892-041	1	<p>H3 fog light, 12V, basalt grey body, with bulb</p>
	4RA 003 510-081	1	<p><b>Spare parts:</b> Normally-open relay for -821</p>
			<p>Ⓔ1 649</p>
	1FB 007 892-811	1	<p>H3 driving light set, 12V, ivory body, with bulbs, relay and on/off switch</p>
	1FB 007 892-841	1	<p>H3 driving light set, 12V, basalt grey body, with bulbs, relay and on/off switch</p>
	1FB 007 892-011	1	<p>H3 driving light, 12V, ivory body, with bulb</p>
	1FB 007 892-071	1	<p>H3 driving light, 12V, basalt grey body, with bulb</p>
	Ref. 17.5		
	1FB 007 892-131	1	<p>H3 driving light, 12V, basalt grey body, with blue lens, without bulb</p>
	1FB 149 519-011	1	<p><b>Spare parts:</b> Light unit with 12V bulb for -811/-841/-011</p>
	1FB 162 881-011	1	<p>without bulb for -131</p>
	4RA 003 510-081	1	<p>Normally-open relay for -811/-841</p>
			<p> 1x12V55W (H3) 8GH 002 090-133</p>

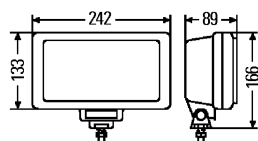
	Part no.	Pk.	For upright mounting
  			<b>Comet 300</b> (E1) 15
	1NB 007 360-011	1	H3 fog light, 12V, without bulb, left
	1NB 007 360-021	1	H3 fog light, 12V, without bulb, right
	Ref. 12.5		(E1) 44511
	1FB 007 360-031	1	H3 driving light, 12V, without bulb, left
	1FB 007 360-041	1	H3 driving light, 12V, without bulb, right
  			<b>Micro FF</b> (E1) 122      (E1) 488
	1NA 007 133-801	1	H3 fog light set, 12V, with bulbs
	1NA 007 133-001	1	H3 fog light, 12V, without bulb
	6EG 001 567-041	10	On/off switch for -801
	4RA 003 510-081	1	Normally-open relay for -801
	Spare parts:		
  			(E1) 122      (E1) 488
	1FA 007 133-811	1	H3 driving light set, 12V, with bulbs
	1FA 007 133-021	1	H3 driving light, 12V, without bulb
	6EG 001 567-041	10	On/off switch for -811
	4RA 003 510-081	1	Normally-open relay for -811
	Spare parts:		
			12V55W (H3) 8GH 002 090-133 

	Part no.	Pk.	For upright or pendant mounting
	<p><b>1NB 005 860-801</b></p> <p><b>1NB 005 860-001</b></p> <p><b>1NB 005 860-021</b></p> <p>1NB 137 001-021 6EG 001 567-041</p>	<p>1</p> <p>1</p> <p>1</p> <p>2 10</p>	<p><b>Comet 450</b></p> <p>(E1) 18227</p> <p><b>Black plastic body.</b></p> <p><b>H3 fog light set, 12V, with bulbs, white</b></p> <p><b>H3 fog light, 12V, with bulb, white</b></p> <p><b>H3 fog light, 12V, with bulb, yellow</b></p> <p><b>Spare parts:</b> Light unit, white On/off switch for -801</p>
	<p><b>Ref. 17.5</b></p> <p><b>1FB 005 860-831</b></p> <p><b>1FB 005 860-031</b></p> <p><b>1FB 005 860-061</b></p> <p>1FB 137 006-021</p>	<p>1</p> <p>1</p> <p>1</p> <p>2</p>	<p>(E1) 44442</p> <p><b>H3 driving light set, 12V, with bulbs, white</b></p> <p><b>H3 driving light, 12V, with bulb, white</b></p> <p><b>H3 driving light, 12V, with bulb, yellow</b></p> <p><b>Spare parts:</b> Light unit, white</p> <p> 1x12V55W (H3) 8GH 002 090-133</p>
	<p><b>1ND 003 590-401</b></p> <p><b>Ref. 17.5</b></p> <p><b>1FD 003 590-411</b></p> <p>1FD 135 198-011</p>	<p>1</p> <p>1</p> <p>1</p>	<p><b>For pendant mounting</b></p> <p><b>181 Chrome</b></p> <p>(E1) 18216</p> <p><b>Chrome-plated plastic body.</b></p> <p><b>H3 fog light, 12V/24V, without bulb</b></p> <p>(E1) 44410</p> <p><b>H3 driving light, 12V/24V, without bulb</b></p> <p><b>Spare parts:</b> Light unit</p> <p> 1x12V55W (H3) 8GH 002 090-133  1x24V70W (H3) 8GH 002 090-251</p>

	Part no.	Pk.	For upright or pendant mounting
			<p><b>Comet 550</b></p> <p>(E1) 18216</p>
	1ND 005 700-841	1	H3 fog light set, 12V, with bulbs and on/off switch, white
	1ND 005 700-001	1	H3 fog light, 12V, with bulb, white
	1ND 005 700-061	1	with hardened lens, 12V/24V, without bulb, white
	1ND 005 700-021	1	H3 fog light, 12V, with bulb, yellow
	6EG 001 567-041	10	<p><b>Spare parts:</b> On/off switch for -841</p>
			<p>(E1) 44410</p>
	1FD 005 700-851	1	H3 driving light set, 12V, with bulbs, white
	1FD 005 700-051	1	H3 driving light, 12V, without bulb, white
	1FD 005 700-301	1	H3 driving light, 12V, with bulb, white
	1FD 005 700-031	1	H3 driving light, 12V, with bulb, yellow
	1FD 135 198-011	1	<p><b>Spare parts:</b> Light unit, white</p> <p> 1x12V55W (H3) 8GH 002 090-133   1x24V70W (H3) 8GH 002 090-251</p>



  	<b>Part no.</b>  <b>1FE 002 537-471</b>  <b>1FE 002 537-461</b>	<b>Pk.</b>  <b>1</b>  <b>1</b>	<b>For upright mounting</b>  <b>Jumbo 210 Xenon</b>  (E1) 880  <b>Black/red body and red lens-retaining rim.</b>  <b>Xenon driving light, with gas discharge bulb and 12V ballast unit</b>  <b>with gas discharge bulb and 24V ballast unit</b>   1x35W (D2S) 8GS 007 949-101
  	<b>1NE 002 537-201</b>  9DF 112 246-001  <b>1FE 002 537-191</b>  9DF 112 247-001	<b>1</b>  <b>1</b>  <b>1</b>  <b>1</b>	<b>For upright or pendant mounting</b>  <b>Jumbo 210 Chrome</b>  (E4) 914  <b>Silver body and lens-retaining rim.</b>  <b>H3 fog light, 12V/24V, without bulb</b>  <b>Spare parts:</b> Light unit  <hr/> (E1) 14520  <b>H3 driving light, 12V/24V, without bulb</b>  <b>Spare parts:</b> Light unit   1x12V55W (H3) 8GH 002 090-133  1x24V70W (H3) 8GH 002 090-251



Part no. Pk. **For upright or pendant mounting**

### Jumbo 220

Ⓔ1 18231

**Black plastic body.**

- 1NE 006 300-051 1 **H3 fog light, 12V/24V, with black lens-retaining rim**
- 1NE 006 300-071 1 **with black lens-retaining rim**
- 1NE 006 300-101 1 **with black lens-retaining rim, yellow**
- 1NE 006 300-011 1 **with chrome-plated lens-retaining rim**

**Spare parts:**

- 1NE 138 555-011 1 Light unit for -051/-011
- 1NE 138 575-011 1 for -101
- 9AG 138 131-011 5 Lens-retaining rim, black
- 9AG 138 131-001 5 chrome-plated

Ⓔ1 44444 Ref. 37.5 Ⓔ1 44445 Ref. 17.5

**Ref. 37.5**

- 1FE 006 300-041 1 **H3 driving light, 12V, with black lens-retaining rim**
- 1FE 006 300-121 1 **with smoke coloured lens**

**Ref. 17.5**

- 1FE 006 300-081 1 **with black body and lens-retaining rim**

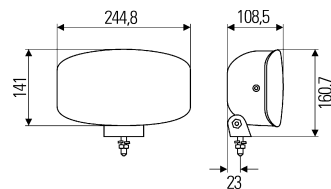
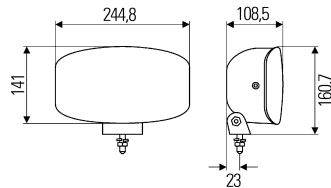
**Ref. 37.5**

- 1FE 006 300-001 1 **with chrome-plated lens-retaining rim**
- 1FE 006 300-261 1 **with blue lens**

**Spare parts:**

- 1FE 138 520-011 1 Light unit for -041/-001/-121
- 1FE 158 578-011 1 for -081
- 1FE 158 877-011 1 for -261
- 9AG 138 131-011 5 Lens-retaining rim, black
- 9AG 138 131-001 5 chrome-plated

- 1x12V55W (H3) 8GH 002 090-133
- 1x24V70W (H3) 8GH 002 090-251



Part no. Pk. **For upright or pendant mounting**

**Jumbo 320 FF®**

Ⓔ1 1689

1NE 008 773-031 1 **H7 fog light, 12V/24V, black body, lens with clear-glass look**

1NE 161 643-011 1 **Spare parts:**  
Light unit

Ref. 37.5 Ⓔ1 1655 Ref. 37.5 Ⓔ1 1740 Ref. 17.5

1FE 008 773-001 1 **H7 driving light, 12V/24V, black body, without side light, lens with clear-glass look**

1FE 008 773-041 1 **with side light**

1FE 008 773-061 1 **with blue lens, without side light**

Ref. 17.5

1FE 008 773-011 1 **without side light**

1FE 161 641-011 1 **Spare parts:**  
Light unit  
for -001  
1FE 161 641-021 1 for -061  
1FE 161 642-011 1 for -011  
1FE 161 644-011 1 for -041

1x12V55W (H7) 8GH 007 157-121  
1x24V70W (H7) 8GH 007 157-241

1x12V5W (W5W) 8GP 003 594-121  
1x24V5W (W5W) 8GP 003 594-251

**Jumbo 320 Xenon**

Ref. 37.5 Ⓔ1 1741

1FE 008 773-021 1 **Xenon driving light with gas discharge bulb and 12V ballast unit. Side light in LED technology, incl. LEDs, black body, lens with clear-glass look**






1FE 008 773-051 1 **with gas discharge bulb and 24V ballast unit. Side light in LED technology, incl. LEDs, black body, lens with clear-glass look**


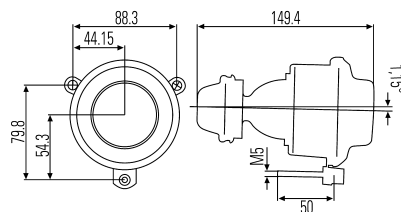

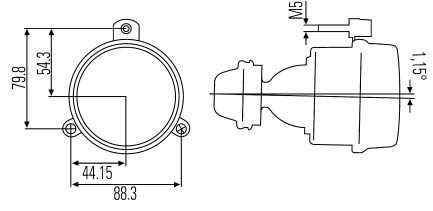



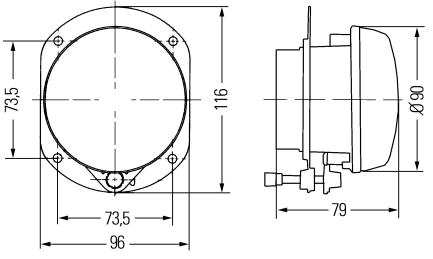


1FE 161 576-011 1 **Spare parts:**  
Light unit  
Ballast unit,  
5DV 008 855-001 1 12V  
5DV 008 856-001 1 24V

1x35W (D2S) 8GS 007 949-101

# Accessories for Fog Lights and Driving Lights




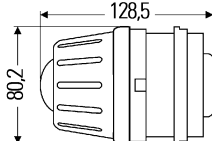


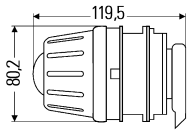


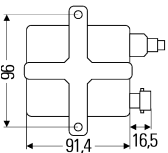
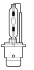

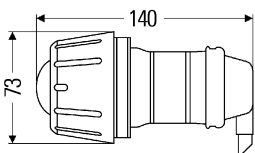


	<p>Part no.</p> <p>6ZN 160 705-001</p> <p>6ZN 160 705-011</p>	<p>Pk.</p> <p>1</p> <p>1</p>	<p><b>Universal radio remote control unit</b></p> <p>The Hella remote control is ECE type tested and carries the RF suppression symbol. The alternating code feature excludes interference with other remote controls. The convenient way to switch auxiliary lights by remote control. Maximum switching capacity: 2 x 12W. <b>With green control diode for on-off switching control.</b></p> <p><b>Universal radio remote control unit, 12V</b></p> <p><b>Universal radio remote control unit, 24V</b></p>
	<p>8HG 116 741-801</p>	<p>1</p>	<p><b>Two-point fixing</b></p> <p>Fixing system made of stainless steel which can be shortened, bent or twisted as required. Length: 80 - 240 mm.</p> <p><b>Two-point fixing (2 pieces)</b></p>
	<p>8KA 002 309-811</p>	<p>1</p>	<p><b>Universal lead set</b></p> <p>For 1 to 2 auxiliary lights. Including 16A relay with fuse, leads and installation material.</p> <p><b>Universal lead set</b></p>
	<p>4RA 003 510-361</p> <p>4RA 003 510-651</p>	<p>1</p> <p>1</p>	<p><b>Normally-open relays</b></p> <p><b>With bracket and blade-type fuse.</b></p> <p>With three 6.3 mm blade terminal contacts. Max. load (at +80 °C): 15A at 12V and 24V.</p> <p><b>Normally-open relay, 4-pin 12V</b></p> <p><b>Normally-open relay, 4-pin 24V</b></p>
	<p>6EH 007 946-001</p>	<p>1</p>	<p><b>On-off switch</b></p> <p><b>Rocker switch with green warning light and 12V bulb.</b></p> <p>With three 6.3 mm blade terminal contacts. Max. load: 10A at 12V.</p> <p><b>On-off switch</b></p>


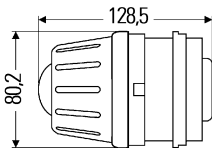


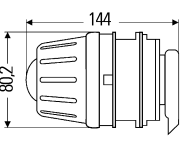
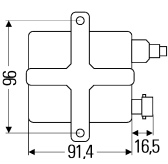
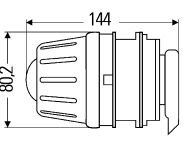
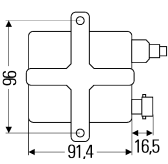


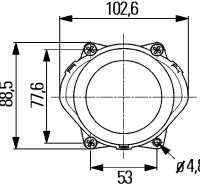
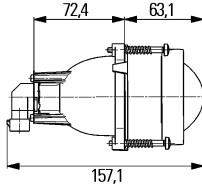
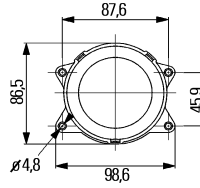
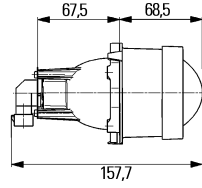



	Part no.	Pk.	Built-in fog lights
 	<p><b>1NL 007 186-061</b> <b>1NL 007 186-067</b></p>	<p>1 30</p>	<p><b>With H3 light.</b> For flush mounting in front apron or front spoiler. Mounting depth: 105 mm. <b>With 12V bulb.</b> <b>Light aperture: 54 mm dia.</b></p> <p>(E1) 20</p> <p><b>DE-H3 fog light with plastic sealing cap</b></p>
	<p><b>1NL 007 186-027</b></p>	<p>1</p>	<p><b>Light aperture: 80 mm dia.</b></p> <p><b>Without plastic sealing cap</b></p>
	<p><b>9GH 147 009-007</b> <b>9HD 149 253-007</b> <b>8JD 156 150-807</b></p>	<p>30 1 1</p>	<p><b>Accessories:</b> Rubber sealing cap Plastic sealing cap with cover, lead and plug Socket set (20 pcs.)</p> <hr/> <p><b>Light aperture: 80 mm dia.</b></p> <p><b>With 24V bulb, plastic sealing cap, cover and lead</b></p> <p><b>Spare parts for -047:</b> Plastic sealing cap with cover and lead</p> <p><b>Accessories:</b> Socket set (20 pcs.)</p> <p> 1x12V55W (H3) 8GH 002 090-133  1x24V70W (H3) 8GH 002 090-251</p>
 	<p><b>1N0 008 582-001</b> <b>1N0 008 582-007</b></p> <p><b>1N0 008 582-011</b> <b>1N0 008 582-017</b></p> <p><b>9GH 158 051-007</b></p>	<p>1 24</p> <p>1 24</p> <p>1</p>	<p><b>With H7 light.</b> <b>Light aperture: 90 mm dia.</b></p> <p>(E1) 1342</p> <p><b>H7 fog light with 12V bulb</b></p> <p><b>with 24V bulb</b></p> <p><b>Accessories:</b> Cap</p> <p> 1x12V55W (H7) 8GH 007 157-121  1x24V70W (H7) 8GH 007 157-241</p>

# Headlights

44 mm dia.



	Part no.	Pk.	Built-in headlights
 	<p><b>1BL 009 071-001</b> <b>1BL 009 071-007</b></p> <p><b>1BL 009 071-027</b></p>	<p>1 24 24</p>	<p><b>Premium Module</b></p> <p><b>H7 dipped-beam headlight.</b> Light aperture: 44 mm dia.</p> <p>(E1) 1903</p> <p><b>DE®-H7 headlight with 12V bulb</b></p> <p><b>with 24V bulb</b></p> <p> 1x12V55W (H7) 8GH 007 157-121 1x24V70W (H7) 8GH 007 157-241</p>
    	<p><b>1BL 009 071-047</b> <b>1BL 009 071-067</b></p> <p>5DV 007 760-631 5DV 007 810-171</p> <p><b>9AH 161 784-017</b> <b>9AH 161 786-017</b></p> <p><b>6NM 007 282-221</b> <b>6NM 007 282-231</b></p>	<p>12 12 1 1 9 12 1 1</p>	<p><b>DE®-Xenon dipped-beam headlight, with gas discharge bulb.</b></p> <p><b>Xenon headlight with 12V ballast unit</b> <b>with 24V ballast unit</b></p> <p><b>Spare parts:</b> Ballast unit, 12V 24V</p> <p><b>Accessories:</b> Supporting frame with headlight leveller retainer without headlight leveller retainer Actuator for headlight levellers, for -001/-007 for -047</p> <p> 1x35W (D2S) 8GS 007 949-101</p>
  	<p><b>1NL 009 071-317</b> <b>1NL 009 071-327</b></p> <p><b>9AH 161 786-017</b> <b>9GH 147 009-007</b> <b>9HD 149 253-007</b> <b>8JD 156 150-807</b></p>	<p>24 24 12 30 1 1</p>	<p><b>H3 fog light.</b></p> <p>(E1) 877</p> <p><b>DE®-H3 fog light with 12V bulb</b> <b>with 24V bulb</b></p> <p><b>Accessories:</b> Supporting frame Rubber cap Plastic cap Socket set for 9HD 149 253-007 (20 pcs.)</p> <p> 1x12V55W (H3) 8GH 002 090-133 1x24V70W (H3) 8GH 002 090-251</p>


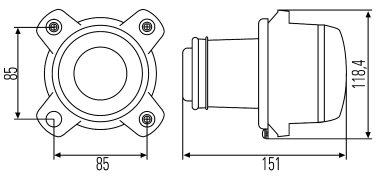




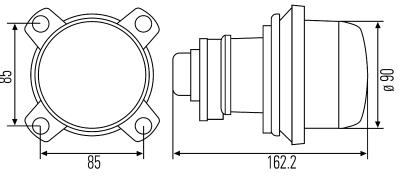


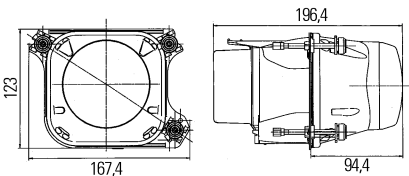

Part no.	Pk.	Built-in headlights
 	<p>Ref. 17.5</p> <p><b>1KL 009 486-001</b> 1</p>	<p><b>Premium Module</b></p> <p><b>H9 driving light with 12V bulb.</b> Light aperture: 44 mm dia.</p> <p>Ⓔ1 1903</p> <p><b>DE@-H9 driving light</b></p> <p> 1x12V65W (H9) 8GH 008 357-001</p>
    	<p>Ref. 17.5</p> <p><b>1F0 008 390-317</b> 12</p> <p><b>1F0 008 390-327</b> 12</p> <p>5DV 007 760-631 1</p> <p>5DV 007 810-171 1</p> <p><b>9AH 161 786-017</b> 12</p> <p><b>8HG 153 152-001</b> 1</p>	<p><b>With gas discharge bulb.</b></p> <p>Ⓔ1 1120</p> <p><b>DE@-Xenon driving light with 12V ballast unit</b></p> <p><b>with 24V ballast unit</b></p> <p><b>Spare parts:</b> Ballast unit, 12V 24V</p> <p><b>Accessories:</b> Supporting frame Holder with adjusting devices</p> <p> 1x35W (D2S) 8GS 007 949-101</p>
    	<p><b>1BL 998 570-001</b> 1</p> <p><b>1KL 998 570-021</b> 1</p> <p><b>1KL 998 570-031</b> 1</p> <p><b>8JA 990 295-217</b> 10</p>	<p><b>Modul 60</b></p> <p><b>HB3 dipped-beam headlight.</b> Reflector with lens bonded. With 12V bulb. Light aperture: 60 mm dia.</p> <p>Ⓔ4 10894</p> <p><b>DE@-HB3 dipped-beam headlight</b></p> <p> 1x12V60W (HB3) 8GH 005 635-121</p> <hr/> <p><b>HB3 driving light.</b> Reflector with lens bonded. With 12V bulb(s).</p> <p>Ⓔ4 10892</p> <p><b>DE@-HB3 driving light without side light</b></p> <p><b>with side light</b></p> <p><b>Accessories:</b> Plug for HB3 bulb</p> <p> 1x12V60W (HB3) 8GH 005 635-121</p> <p> 1x12V3W (W3W) 8GP 003 594-141</p>



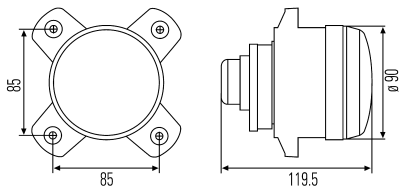
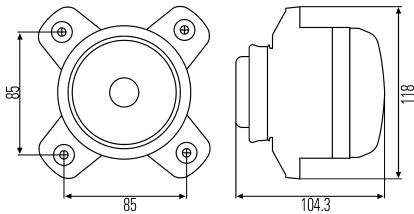
# Headlights

90 mm dia.



	Part no.	Pk.	Built-in headlights
 	<p><b>1BL 008 193-001</b> <b>1BL 008 193-007</b></p> <p><b>1BL 008 193-011</b> <b>1BL 008 193-017</b></p> <p><b>1BL 008 193-172</b></p> <p>9XB 152 977-001</p> <p><b>9GH 152 654-012</b> <b>9GH 145 943-012</b></p> <p><b>9AH 157 659-007</b></p>	<p>1</p> <p>36</p> <p>1</p> <p>36</p> <p>1</p> <p>36</p> <p>36</p> <p>1</p> <p>20</p>	<p><b>H7 dipped-beam headlight.</b> Lens with reflector bonded. <b>Light aperture: 90 mm dia.</b></p> <p><b>E1</b> 917</p> <p><b>DE®-H7 headlight with 12V bulb</b></p> <p><b>with 24V bulb</b></p> <p><b>with 24V Heavy Duty bulb for trucks and buses</b></p> <p><b>Spare parts:</b> Setting element, headlight levelling (3 pcs.)</p> <p><b>Accessories:</b> Rubber cap, for 90° plug Rubber cap without ventilation, for use with a 2-pole receptacle housing Supporting frame</p> <p> 1x12V55W (H7) 8GH 007 157-121  1x24V70W (H7) 8GH 007 157-241  1x24V70W (H7 HDLL) 8GH 007 157-231</p>
 	<p><b>1BL 008 194-001</b> <b>1BL 008 194-007</b></p> <p><b>1BL 008 194-027</b></p> <p>1BL 158 060-021</p> <p>5DV 007 760-631 5DV 007 810-171</p> <p>8HG 151 866-001 9XD 990 308-001 9XB 152 977-001</p> <p><b>8JD 156 151-807</b> <b>9AH 157 659-007</b></p>	<p>1</p> <p>8</p> <p>1</p> <p>1</p> <p>1</p> <p>1</p> <p>5</p> <p>1</p> <p>1</p> <p>1</p> <p>1</p> <p>1</p>	<p><b>Xenon dipped-beam headlight with gas discharge bulb.</b></p> <p><b>Xenon headlight with 12V ballast unit</b></p> <p><b>with 24V ballast unit</b></p> <p><b>Spare parts:</b> Light unit without gas discharge bulb and ballast unit Ballast unit, 12V 24V Holder for ballast unit without cellular rubber base with cellular rubber base Setting element, headlight levelling (3 pcs.)</p> <p><b>Accessories:</b> Socket set for ballast unit (20 pcs.) Supporting frame</p> <p> 1x35W (D2S) 8GS 007 949-101</p>
 	<p><b>1AL 008 934-001</b> <b>1AL 008 934-021</b></p> <p>5DV 008 855-001 5DV 008 855-007 5DV 008 856-001 5DV 008 856-007</p> <p><b>8JD 162 211-801</b> <b>8JA 990 295-127</b></p> <p><b>8KB 990 299-221</b> <b>8KB 990 299-231</b></p>	<p>1</p> <p>1</p> <p>1</p> <p>24</p> <p>1</p> <p>24</p> <p>1</p> <p>10</p> <p>1</p> <p>1</p>	<p><b>Bi-Xenon® dipped-beam and main-beam headlight with gas discharge bulb.</b> <b>Light aperture: 90 mm dia.</b></p> <p><b>E1</b> 1677</p> <p><b>Bi-Xenon headlight with 12V ballast unit</b></p> <p><b>with 24V ballast unit</b></p> <p><b>Spare parts:</b> Ballast unit, 12V 24V</p> <p><b>Accessories:</b> Socket set for main beam (20 pcs.) 2-pole DEUTSCH plug connector 3100 mm lead set with DEUTSCH plug connector and relay with fuse, 12V 24V</p> <p> 1x35W (D2S) 8GS 007 949-101</p>




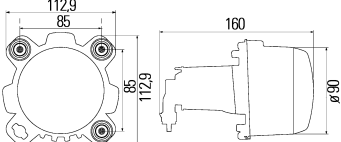



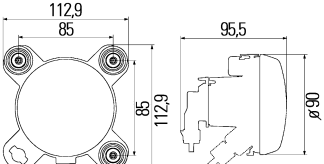






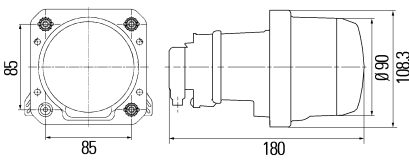



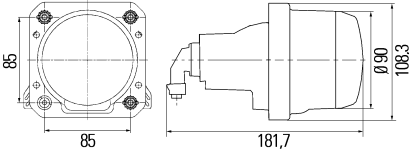


Part no.	Pk.	Built-in headlights
		<b>H7 main-beam headlight with side light.</b> <b>Lens with reflector bonded.</b> <b>Light aperture: 90 mm dia.</b>
		<b>E1</b> 917
1K0 008 191-001	1	<b>FF®-H7 headlight</b>
1K0 008 191-007	36	<b>with 12V bulbs</b>
1K0 008 191-021	1	<b>with 24V bulbs</b>
1K0 008 191-027	36	
1K0 008 191-212	1	<b>with 24V Heavy Duty bulb</b> <b>for trucks and buses</b>
<hr/>		
		<b>Without side light.</b>
1K0 008 191-011	1	<b>FF®-H7 headlight</b>
1K0 008 191-017	36	<b>with 12V bulb</b>
1K0 008 191-041	1	<b>with 24V bulb</b>
1K0 008 191-047	36	
9XB 152 977-001	1	<b>Spare parts:</b> Setting element, headlight levelling (3 pcs.)
9GH 152 654-007	1	<b>Accessories:</b> Sealing cap
8JD 156 150-807	1	Socket set for 007/-021/-027 (20 pcs.)
9AH 157 659-007	1	Supporting frame
		1x12V55W (H7) 8GH 007 157-121 1x24V70W (H7) 8GH 007 157-241 1x24V70W (H7 HDLL) 8GH 007 157-231 1x12V4W (T4W) 8GP 002 067-121 1x24V4W (T4W) 8GP 002 067-241
<hr/>		
		<b>Xenon main-beam headlight</b> <b>with side light and gas discharge bulb.</b>
1K0 008 192-001	1	<b>Xenon headlight</b>
1K0 008 192-007	8	<b>with 12V ballast unit</b>
1K0 008 192-027	1	<b>with 24V ballast unit</b>
<hr/>		
		<b>Without side light.</b>
1K0 008 192-011	1	<b>Xenon headlight</b>
1K0 008 192-017	8	<b>with 12V ballast unit</b>
1K0 158 059-061	1	<b>Spare parts:</b> Light unit for -001/-007/-027
1K0 158 059-071	1	Light unit for -011/-017
5DV 007 760-631	1	Ballast unit
5DV 007 810-171	1	12V
8HG 151 866-001	5	24V
9XD 990 308-001	1	Holder for ballast unit
9XB 152 977-001	1	without cellular rubber base
		with cellular rubber base
8JD 156 150-807	1	Setting element, headlight levelling (3 pcs.)
8JD 156 151-807	1	
9AH 157 659-007	1	
		<b>Accessories:</b> Socket set for side light (20 pcs.) for ballast unit (20 pcs.) Supporting frame
		1x35W (D2S) 8GS 007 949-101 1x12V4W (T4W) 8GP 002 067-121 1x24V4W (T4W) 8GP 002 067-241

# Headlights

90 mm dia.

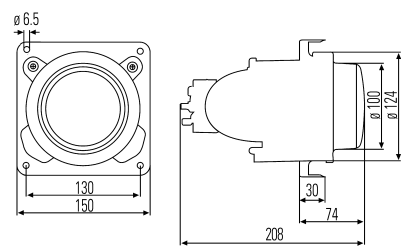
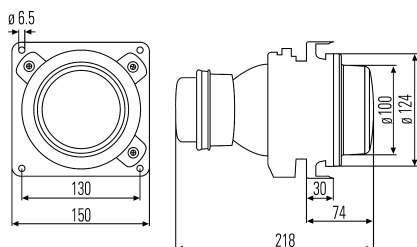



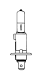
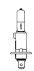
	Part no.	Pk.	Built-in headlights
  	<p><b>1BL 247 042-001</b> <b>1BL 247 042-007</b></p> <p><b>1BL 247 042-011</b> <b>1BL 247 042-017</b></p> <p><b>6NM 007 282-221</b> <b>6NM 008 299-501</b> <b>8JD 156 151-807</b></p> <p><b>9AH 254 228-012</b> <b>9AH 254 228-017</b></p>	<p>1 36</p> <p>1 36</p> <p>1 1 1</p> <p>2 36</p>	<p><b>H1 dipped-beam headlight.</b> <b>Reflector made of die cast aluminium with hardened lens bonded.</b> <b>Plug connector HB4.</b> <b>Light aperture: 90 mm dia.</b> 3 attachment elements are enclosed.</p> <p>(E1) 2397</p> <p><b>DE@-H1 dipped-beam headlight with 12V bulb</b></p> <p><b>with 24V bulb</b></p> <p><b>Accessories:</b> Headlight levelling, 12V 24V Plug set (HB4)</p> <p>Supporting frame</p> <p> 1x12V55W (H1) 8GH 002 089-133 1x24V70W (H1) 8GH 002 089-251</p>
  	<p><b>1K0 247 043-001</b> <b>1K0 247 043-007</b></p> <p><b>1K0 247 043-021</b> <b>1K0 247 043-027</b></p> <p><b>1K0 247 043-011</b> <b>1K0 247 043-017</b></p> <p><b>1K0 247 043-031</b> <b>1K0 247 043-037</b></p> <p><b>9AH 254 228-012</b> <b>9AH 254 228-017</b></p>	<p>1 36</p> <p>1 36</p> <p>1 36</p> <p>1 36</p> <p>2 36</p>	<p><b>H1 driving light with side light.</b> <b>Reflector made of die cast aluminium with hardened lens bonded.</b> <b>Plug connector HB4.</b> <b>Light aperture: 90 mm dia.</b> 3 attachment elements are enclosed.</p> <p>(E1) 2397</p> <p><b>FF@-H1 driving light with 12V bulb</b></p> <p><b>with 24V bulb</b></p> <p><b>Without side light.</b></p> <p><b>FF@-H1 driving light with 12V bulb</b></p> <p><b>with 24V bulb</b></p> <p><b>Accessories:</b> Supporting frame</p> <p> 1x12V55W (H1) 8GH 002 089-133 1x24V70W (H1) 8GH 002 089-251</p> <p> 1x12V4W (T4W) 8GP 002 067-121 1x24V4W (T4W) 8GP 002 067-241</p>

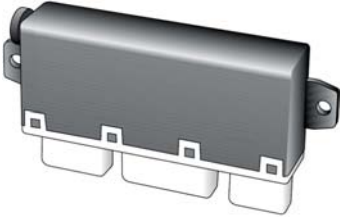
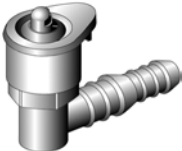


	Part no.	Pk.	Built-in headlights
 	<p><b>1AL 009 997-001</b></p> <p>5DV 007 760-631</p> <p><b>9AH 169 580-011</b>  <b>6NM 007 282-221</b>  <b>8JD 156 151-807</b></p>	<p>1</p> <p>1</p> <p>20</p> <p>1</p> <p>1</p>	<p><b>Bi-Xenon® dipped-beam headlight with gas discharge bulb, can be changed over to LES tourist solution. Reflector made of die cast aluminium with hardened lens bonded. Light aperture: 90 mm dia.</b>            3 attachment elements are enclosed.</p> <p>(E1) 2484</p> <p><b>Bi-Xenon® headlight with 12V ballast unit</b></p> <p><b>Spare parts:</b>            Ballast unit, 12V</p> <p><b>Accessories:</b>            Supporting frame            Headlight levelling incl. bracket, 12V            Plug set (HB4)</p> <p> 1x35W (D2S) 8GS 007 949-101</p>
	<p><b>1AL 009 998-001</b></p> <p><b>9AH 169 580-011</b>  <b>6NM 007 282-221</b>  <b>8JD 156 151-807</b></p>	<p>1</p> <p>20</p> <p>1</p> <p>1</p>	<p><b>Bi-Halogen dipped-beam headlight, can be changed over to LES tourist solution. Reflector made of die cast aluminium with hardened lens bonded. Light aperture: 90 mm dia.</b></p> <p>(E1) 2484</p> <p><b>Bi-Halogen headlight with 12V bulb</b></p> <p><b>Accessories:</b>            Supporting frame            Headlight levelling incl. bracket, 12V            Plug set (HB4)</p> <p> 1x12V55W (H7) 8GH 007 157-121</p>
	<p><b>1BL 009 999-001</b></p> <p><b>1BL 009 999-041</b></p> <p><b>9AH 169 580-011</b>  <b>6NM 007 282-221</b>  <b>8JD 156 151-807</b></p>	<p>1</p> <p>1</p> <p>20</p> <p>1</p> <p>1</p>	<p><b>H7 dipped-beam headlight, can be changed over to LES tourist solution. Reflector made of die cast aluminium with hardened lens bonded. Light aperture: 90 mm dia.</b>            3 attachment elements are enclosed.</p> <p>(E1) 2486</p> <p><b>DE®-H7 dipped-beam headlight with 12V bulb</b>  <b>with 24V bulb</b></p> <p><b>Accessories:</b>            Supporting frame            Headlight levelling incl. bracket, 12V            Plug set (HB4)</p> <p> 1x12V55W (H7) 8GH 007 157-121   1x24V70W (H7) 8GH 007 157-241</p>

# Headlights

100 mm dia.



Part no.	Pk.	Built-in headlights
		For buses and mobile homes with 24V. <b>Xenon or halogen headlights with arched lens.</b> <b>Light aperture: 100 mm dia.</b>  <b>Xenon headlight without side light.</b> <b>With gas discharge bulb and 24V ballast unit.</b>
		(E1) 550
<b>1BL 007 834-037</b>	1	<b>Xenon dipped-beam headlight</b>
		(E1) 549
<b>1KL 007 834-097</b>	1	<b>Xenon main-beam headlight</b>
5DV 007 810-171	1	<b>Spare parts:</b> Ballast unit, 24V
		<b>Accessories:</b>
<b>8JD 156 151-807</b>	1	Socket set (20 pcs.)  1x35W (D2S) 8GS 007 949-101
		<b>DE@-H1 dipped-beam headlight without side light and bulb.</b>
		(E1) 550
<b>1BL 007 834-007</b>	1	<b>DE@-H1 dipped-beam headlight without supporting frame</b>
<b>1BL 007 834-132</b>	8	<b>without supporting frame, with 2-pole AMP plug connector</b>
Ref. 17.5		(E1) 549
<b>1KL 007 834-027</b>	1	<b>DE@-H1 main-beam headlight</b>
		(E1) 548
<b>1NL 007 834-017</b>	1	<b>DE@-H1 fog light</b>  1x24V70W (H1) 8GH 002 089-251
		For trucks, buses and vehicle tuners. <b>DE@-H1 headlight for 24V operating voltage, with flat lens, without side light and bulb.</b>
		(E1) 550
<b>1BL 007 834-047</b>	1	<b>DE@-H1 dipped-beam headlight suitable for headlight leveller</b>
<b>6NM 004 375-541</b>	3	<b>Accessories:</b> Electr. headlight leveller, 12V
<b>6NM 004 375-547</b>	48	
Ref. 17.5		(E1) 549
<b>1KL 007 834-067</b>	1	<b>DE@-H1 main-beam headlight</b>
		(E1) 548
<b>1NL 007 834-057</b>	8	<b>DE@-H1 fog light</b>
		<b>Accessories:</b>
<b>8WS 008 549-001</b>	1	Lens cleaning system with spray system, 12V
<b>8WS 008 549-501</b>	1	24V
<b>9GH 145 943-001</b>	1	Rubber sealing cap for -027/-067
<b>9HD 155 239-001</b>	12	Plastic sealing cap with cable and plug for -007/-017/-047/-057
		 1x24V70W (H1) 8GH 002 089-251






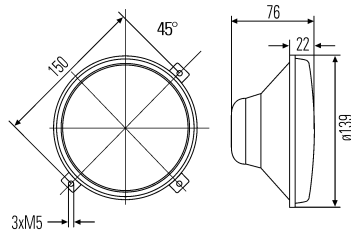






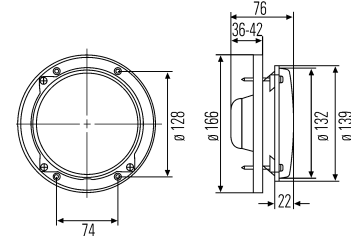





	Part no.	Pk.	Accessories
	<p>8XX 008 614-011</p> <p>8XX 008 614-101</p> <p>8XX 008 614-031</p> <p>8XX 008 644-001</p>	<p>1</p> <p>1</p> <p>1</p> <p>1</p>	<p><b>Ultra-sonic headlight levellers for 90 mm dia. and 100 mm dia. built-in Xenon headlights</b> (see pages 4.32-4.36)</p> <p><b>Contents:</b> Ultra-sonic sensor, electronic control, actuator motors, lead set and installation instructions</p> <p>The ultra-sonic sensor can be mounted on the floor of the car with a bracket and connected to the central electronic control. This control transfers its adjustment values to the actuator motors on the headlights. The actuators then position the headlights in accordance with the specific load. If the vehicle height is reduced at the rear as well as the front axle when loaded, a second sensor is required (supplement kit). The control module is laid out for two-sensor operation.</p> <p>e1 1926</p> <p><b>Universal ultra-sonic headlight leveller with 1 sensor, 12V</b></p> <p><b>with 2 sensors, 24V</b></p> <p><b>for converting mobile homes, 12V</b></p> <p><b>Accessories:</b> Sensor supplement kit incl. lead set</p>
    	<p>8WS 008 549-001</p> <p>8WS 008 549-501</p> <p>8WS 008 549-011</p> <p>8WT 008 549-101</p> <p>8WT 008 549-601</p> <p>8WT 008 549-201</p> <p>8WT 008 549-701</p> <p>9GS 146 999-727</p>	<p>1</p> <p>1</p> <p>1</p> <p>1</p> <p>1</p> <p>1</p> <p>1</p> <p>5</p>	<p><b>Headlight cleaning system for 90 mm dia. and 100 mm dia. built-in headlights</b> (see pages 4.32-4.36)</p> <p><b>For cleaning from 2 to 4 headlights.</b></p> <p><b>Contents:</b> Pump, control module, lead set, nozzle and reinforced hose.</p> <p><b>Headlight cleaning system with fixed nozzles, 12V</b></p> <p><b>24V</b></p> <p><b>for converting mobile homes, 12V</b></p> <hr/> <p><b>With single telescopic nozzles, 12V</b></p> <p><b>24V</b></p> <hr/> <p><b>With double telescopic nozzles, 12V</b></p> <p><b>24V</b></p> <p><b>Accessories:</b> Hose</p>

# Headlights

120 mm dia., 130 mm dia.



		Part no.	Pk.	<b>Built-in headlights</b>
		1BL 006 349-007	1	<b>DE-dipped-beam headlight without side light, with sealing cap and 12V bulb.</b> For vehicles with 4-headlight-system. <b>With adjustment screw.</b> <b>Light aperture: 120 mm dia.</b>  (E1) 7415
		1BL 006 349-011	1	<b>DE®-H1 headlight in accordance with main-beam headlight unit 1K2 006 147-031</b>  <b>With pre-installed adjustment screw for headlight leveller.</b> <b>Without sealing cap and bulb.</b>  <b>In accordance with main-beam headlight unit 1K2 006 147-051</b>  1x12V55W (H1) 8GH 002 089-133 1x24V70W (H1) 8GH 002 089-251
		1BL 139 277-031	1	<b>DE®-H1-dipped-beam unit, without side light.</b> For vehicles with 4-headlight-system <b>Light aperture: 130 mm dia.</b>  (E1) 7407
		1BL 139 278-031	1	<b>DE®-H1 headlight, left</b>  <b>right</b>  1x24V70W (H1) 8GH 002 089-251
		1K2 006 147-031	1	<b>H3-main-beam unit with side light, sealing cap and 12V bulbs.</b> For vehicles with 4-headlight-system. <b>Light aperture: 120 mm dia.</b>  (E1) 34447
		1K2 006 147-051	1	<b>H3 main-beam unit, in accordance with DE®-headlight 1BL 006 349-007</b>  <b>With side light, without sealing cap and bulb.</b>  <b>12V and 24V, in accordance with DE®-headlight 1BL 006 349-011</b>
		1K2 006 147-041	1	<b>12V, black look, in accordance with DE®-headlight 1BL 006 349-031</b>  1x12V55W (H3) 8GH 002 090-133 1x24V70W (H3) 8GH 002 090-251  1x12V4W (T4W) 8GP 002 067-121 1x24V4W (T4W) 8GP 002 067-241








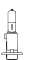

	Part no.	Pk.	Built-in headlights
	<p><b>1A3 996 002-051</b></p>	<p>1</p>	<p><b>With side light.</b>  <b>Light aperture: 132 mm dia.</b>            Reflector made of sheet metal, glued to glass lens.</p> <p>(E12) 1001 (E12) 1002</p> <p><b>Headlight, with cap</b></p> <p> 1x12V45/40W (R2) 8GD 002 088-131   1x24V55/50W (R2) 8GD 002 088-251</p> <p> 1x12V4W (T4W) 8GP 002 067-121   1x24V4W (T4W) 8GP 002 067-241</p>
	<p><b>1A3 996 002-261</b></p> <p>9HD 990 044-001</p>	<p>1</p> <p>2</p>	<p><b>With H4 light.</b></p> <p>(E12) 20001 (E12) 20002</p> <p><b>H4 headlight, with side light and cap</b></p> <p><b>Spare parts:</b>            Cap, red, for -261</p> <hr/> <p>(E4) 10198</p> <p>Reflector made of plastic, glued to non-patterned glass lens. Three fixing screws are included separately in the package.</p>
	<p><b>1A3 996 162-381</b> *)</p> <p><b>1A3 996 162-321</b> *)</p>	<p>1</p> <p>1</p>	<p><b>With side light and 12V bulbs</b></p> <p><b>with side light and 24V bulbs</b></p> <p> 1x12V60/55W (H4) 8GJ 002 525-131   1x24V75/70W (H4) 8GJ 002 525-251</p> <p> 1x12V4W (T4W) 8GP 002 067-121   1x24V4W (T4W) 8GP 002 067-241</p>
	<p><b>1A3 996 002-181</b></p> <p><b>1A3 996 002-211</b></p> <p><b>1A3 996 002-531</b></p>	<p>1</p> <p>1</p> <p>1</p>	<p><b>With H4 light.</b>            Supporting frame made of plastic.            Reflector made of sheet metal, glued to glass lens.</p> <p>(E12) 20001 (E12) 20002</p> <p><b>H4 headlight with side light and cap</b></p> <p><b>with side light</b></p> <p><b>with hardened lens, side light and cap</b></p>
	<p>9HD 990 044-001</p>	<p>2</p>	<p><b>Spare parts:</b>            Sealing cap</p> <hr/> <p>(E4) 10198</p> <p>Supporting frame made of plastic.            Reflector made of plastic, glued to non-patterned glass lens.</p>
	<p><b>1A3 996 162-071</b></p>	<p>1</p>	<p><b>With side light and 12V bulbs</b></p> <p> 1x12V60/55W (H4) 8GJ 002 525-131   1x24V75/70W (H4) 8GJ 002 525-251</p> <p> 1x12V4W (T4W) 8GP 002 067-121   1x24V4W (T4W) 8GP 002 067-241</p>

\*) In the case of new vehicles these can only be approved for agricultural and construction machinery.









# Headlights

135 mm dia.



	Part no.	Pk.	Built-in headlights
			<p><b>H4-headlight with sealing cap.</b> For vehicles with 5¾" light units, e.g. for American and Japanese cars. In accordance with SAE dimensions J 571. <b>Light aperture: 135 mm dia.</b></p>
	1A3 002 850-001	1	<p>Ⓔ1 14578    Ⓔ1 24542</p> <p><b>H4 headlight without side light</b></p>
	1A3 002 850-031	1	<p><b>with side light and T4W bulb</b></p>
	9GH 126 647-011	10	<p><b>Spare parts:</b> Sealing cap</p>
			<p> 1x12V60/55W (H4) 8GJ 002 525-131</p>
			<p> 1x12V4W (T4W) 8GP 002 067-121</p>
			<p><b>Bi-Focus H1 dipped-beam headlight with side light.</b> Suitable for almost all vehicles with 5¾" twin headlights, in accordance with SAE 4002 and 4005. Can be used with 1K3 114 155-001. <b>Light aperture: 135 mm dia.</b></p>
	1B3 128 267-001	1	<p>Ⓔ1 34419</p> <p><b>Bi-Focus H1 dipped beam headlight</b> (can only be fitted in pairs)</p>
	9FF 085 642-001	10	<p><b>Fitting for side light</b> (to be ordered separately)</p>
			<p> 1x12V55W (H1) 8GH 002 089-133</p>
			<p> 1x12V4W (T4W) 8GP 002 067-121</p>
			<p><b>H1 dipped-beam headlight with side light. Without sealing cap.</b> For vehicles with 5¾" light units. In accordance with SAE 4002 and 4005. Can be used with 1K3 114 155-001. <b>Light aperture: 135 mm dia.</b></p>
	1B3 114 179-001	1	<p>Ⓔ1 14466    Ⓔ1 14470</p> <p><b>H1 dipped-beam headlight</b></p>
	9HD 140 976-001	5	<p><b>Accessories:</b> Sealing cap</p>
			<hr/> <p><b>H1 main-beam headlight without sealing cap.</b> For vehicles with 5¾" light units. In accordance with SAE 4001. Can be used with 1B3 114 179-001. <b>Light aperture: 135 mm dia.</b></p>
	1K3 114 155-001	1	<p>Ⓔ1 14464</p> <p><b>H1 main-beam headlight</b></p>
	9HD 140 977-001	5	<p><b>Accessories:</b> Sealing cap</p>
			<p> 1x12V55W (H1) 8GH 002 089-133</p>
			<p> 1x12V4W (T4W) 8GP 002 067-121</p>

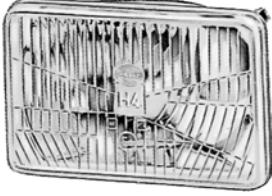
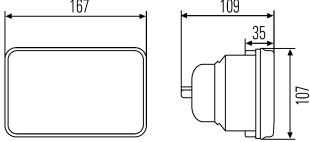


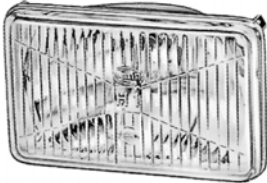


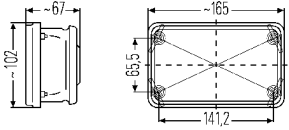



	Part no.	Pk.	Built-in headlights
	1A3 001 120-001	1	<p><b>Without side light.</b> Dipped and main beam in one light. For vehicles with 5¾" light units in accordance with SAE 4002 and 4005. <b>Light aperture: 135 mm dia.</b></p> <p>Ⓔ1 4414</p> <p><b>Headlight</b></p> <p> 1x12V45/40W (R2) 8GD 002 088-131</p>
	1A6 002 395-031 1A6 002 395-071  1A6 002 395-821  1A6 002 395-071  1A6 002 395-387 9GH 126 647-011	1 1  1  1 36 10	<p><b>With H4 light.</b> For vehicles with 7" light units e. g. for American and Japanese cars. In accordance with SAE 6006, SAE 6012 and SAE 6013. <b>Light aperture: 165 mm dia.</b></p> <p>Ⓔ4 1</p> <p><b>H4 headlight without side light, with sealing cap</b></p> <p><b>with side light and sealing cap</b></p> <hr/> <p><b>Set comprises:</b> 2 light units with 12V bulbs, side light and sealing caps.</p> <p><b>H4 headlight set</b></p> <p><b>Spare parts:</b> Light unit</p> <hr/> <p>For vehicles with 7" headlights.</p> <p><b>H4 headlight with side light, hardened lens and sealing cap</b></p> <p><b>Spare parts:</b> Sealing cap for -031/-387</p> <p> 1(2)x12V60/55W (H4) 8GJ 002 525-131</p> <p> 1(2)x12V4W (T4W) 8GP 002 067-121</p>
	1A6 001 128-021 1A6 001 128-061 9DS 088 583-001 9FF 137 580-005	1 1 2 1	<p>For vehicles with 7" headlights, e. g. for American and Japanese cars. In accordance with SAE 6006, SAE 6012 and SAE 6013. <b>Light aperture: 165 mm dia.</b></p> <p>Ⓔ1 14525</p> <p><b>Headlight without side light</b></p> <p><b>with side light, without bulb holder for side light</b></p> <p><b>Spare parts:</b> Reflector with lens for -061</p> <p><b>Accessories:</b> Bulb holder for side light</p> <p> 1x12V45/40W (R2) 8GD 002 088-131</p> <p> 1x12V4W (T4W) 8GP 002 067-121</p>

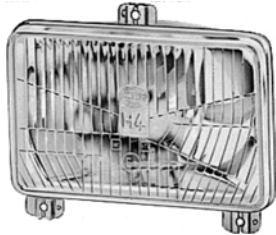
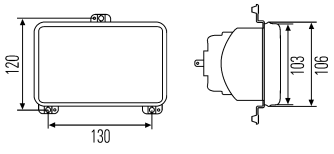



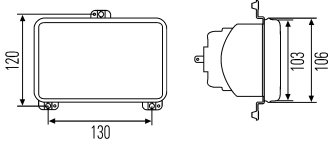


# Headlights

164 x 103 mm



	Part no.	Pk.	Built-in headlights
 	<p><b>1AB 003 177-001</b></p> <p><b>1AB 003 177-071</b></p> <p><b>1AB 003 177-791</b></p>	<p>1</p> <p>1</p> <p>1</p>	<p><b>With H4 light, for outer units.</b> For American and Japanese vehicles with rectangular 4-headlight system. In accordance with SAE J 571. <b>Light aperture: 164 x 103 mm.</b></p> <p>(E1) 24461 (E1) 24460</p> <p><b>H4 headlight without side light, with sealing cap</b></p> <p><b>with side light and sealing cap *)</b></p> <p><b>with side light, sealing cap and hardened lens for 24V operating voltage</b></p> <p> 1x12V60/55W (H4) 8GJ 002 525-131 1x24V75/70W (H4) 8GJ 002 525-251</p> <p> 1x12V4W (T4W) 8GP 002 067-121 1x24V4W (T4W) 8GP 002 067-241</p>
	<p><b>1KB 003 177-061</b></p>	<p>1</p>	<p>For inner units. Mounting depth: 124 mm.</p> <p>(E1) 24504</p> <p><b>H1 main beam headlight with sealing cap.</b></p> <p> 1x12V55W (H1) 8GH 002 089-133</p>
 	<p><b>1NB 004 691-147</b></p>	<p>1</p>	<p><b>H2 fog light with sealing cap.</b> In accordance with 1AB 003 177-... and 1BL 005 380-... <b>Light aperture: 164 x 103 mm.</b></p> <p>(E1) 8371</p> <p><b>H2 fog light</b></p> <p> 1x12V55W (H2) 8GH 002 857-121</p>

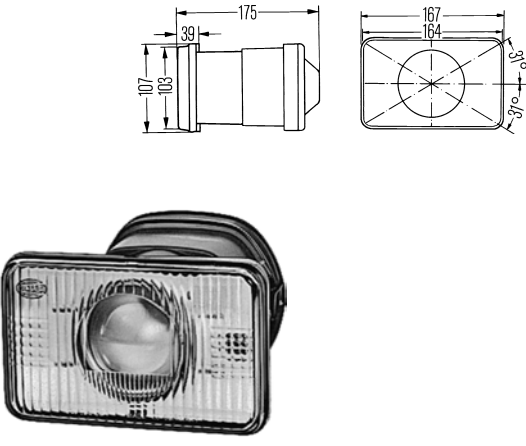


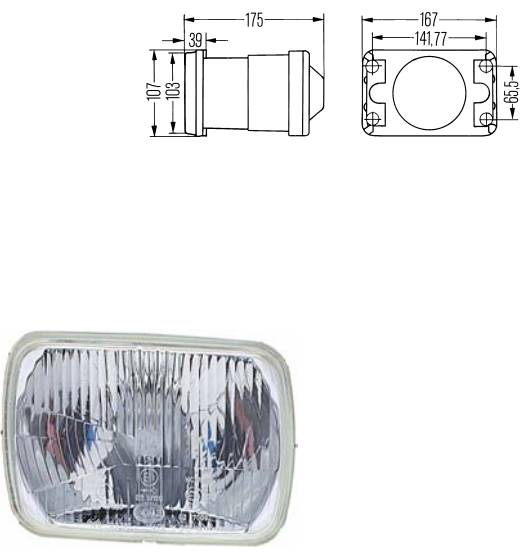




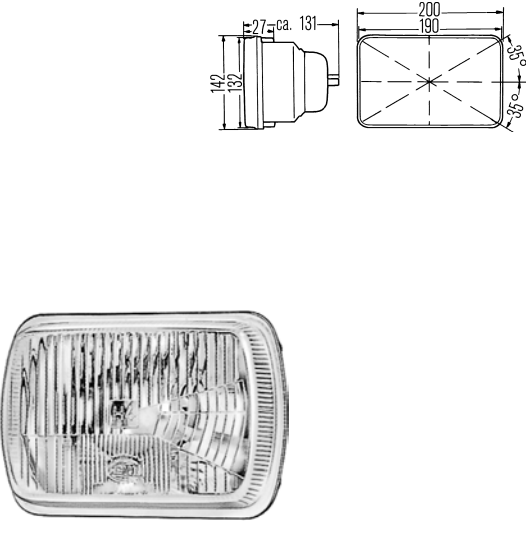


External fitting headlights see page 4.56.

	Part no.	Pk.	Built-in headlights
 	<p><b>1AB 006 277-127</b></p> <p>9GH 126 647-011 9FF 126 444-001</p> <p><b>9KD 116 415-005</b></p>	<p>1</p> <p>10</p> <p>10</p> <p>250</p>	<p><b>Built-in headlights</b></p> <p><b>With H4 light and side light.</b> <b>For three-point mounting.</b> <b>With 12V bulbs.</b> <b>Light aperture: 164 x 103 mm.</b></p> <p>(E1) 24461 (E1) 24460</p> <p><b>H4 headlight</b></p> <p><b>Spare parts:</b> Sealing cap Bulb holder for side light</p> <p><b>Accessories:</b> Pressure spring</p> <p> 1x12V60/55W (H4) 8GJ 002 525-131 1x24V75/70W (H4) 8GJ 002 525-251</p> <p> 1x12V4W (T4W) 8GP 002 067-121 1x24V4W (T4W) 8GP 002 067-241</p>
 	<p><b>1AB 008 888-041</b></p> <p><b>1AB 008 888-051</b></p>	<p>1</p> <p>1</p>	<p><b>With H4 light, clear lens and three-point mounting.</b> Reflector made of plastic, glued to non-patterned glass lens. With fixing screws M4 x 50 mm (DIN 7985) and pressure springs. <b>Light aperture: 164 x 103 mm.</b></p> <p>(E1) 1433 SAE/FMVSS 108</p> <p><b>H4 headlight with side light</b></p> <p><b>without side light</b></p> <p> 1x12V60/55W (H4) 8GJ 002 525-131 1x24V75/70W (H4) 8GJ 002 525-251</p> <p> 1x12V4W (T4W) 8GP 002 067-121 1x24V4W (T4W) 8GP 002 067-241</p>


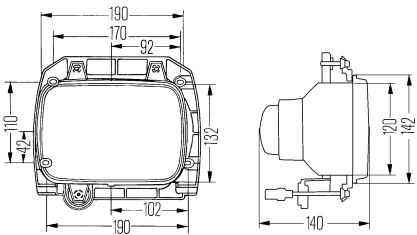


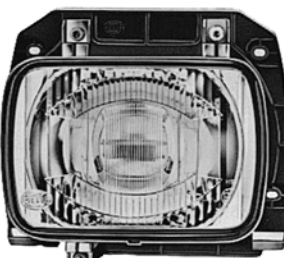


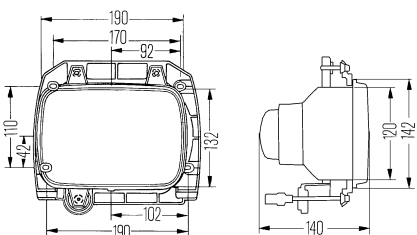


# Headlights

164 x 103 mm, 190 x 132 mm, 181 x 122 mm



Part no.	Pk.	Built-in headlights
	<p><b>1BL 005 380-011</b> 1</p> <p><b>1BL 005 380-021</b> 1</p> <hr/> <p><b>1BL 005 380-031</b> 1</p> <p><b>1BL 005 380-041</b> 1</p>	<p><b>With H1 dipped-beam light, side light and sealing cap.</b> For SAE headlight receiving unit. In accordance with 1KB 003 177-... and 1NB 004 691-... <b>Light aperture: 164 x 103 mm.</b></p> <p>(E1) 21690 (E1) 7402</p> <p><b>DE®-H1 light unit,</b> left right</p> <hr/> <p><b>With snap fastening,</b> left right</p> <p> 1x12V55W (H1) 8GH 002 089-133</p> <p> 1x12V4W (T4W) 8GP 002 067-121</p>
	<p><b>1AE 003 427-011</b> 1</p> <p><b>1AE 003 427-021</b> 1</p> <hr/> <p>9GH 126 647-011 10</p>	<p><b>With H4 light and sealing cap.</b> For American and Japanese vehicles with rectangular 2-headlight system. <b>Light aperture: 190 x 132 mm.</b></p> <p>(E1) 24523</p> <p><b>H4 headlight</b> without side light with side light and 12V4W-bulb *)</p> <p><b>Spare parts:</b> Sealing cap</p> <p> 1/2x12V60/55W (H4) 8GJ 002 525-131</p> <p> 1/2x24V75/70W (H4) 8GJ 002 525-251</p> <p> 1/2x12V4W (T4W) 8GP 002 067-121</p> <p> 1/2x24V4W (T4W) 8GP 002 067-241</p>
	<p><b>1AD 003 305-001</b> 1</p>	<p><b>With H4 light and side light.</b> <b>Light aperture: 181 x 122 mm.</b> For use on motorcycles.</p> <p>(E4) 10</p> <p><b>H4 headlight</b></p> <p> 1x12V60/55W (H4) 8GJ 002 525-131</p> <p> 1x12V4W (T4W) 8GP 002 067-121</p>


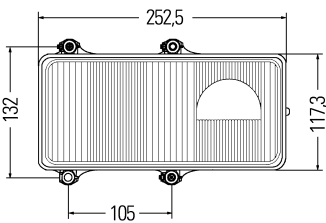



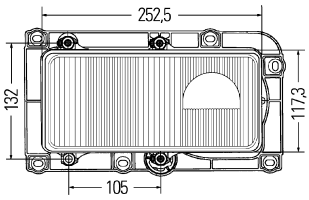
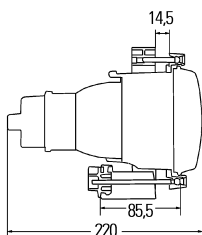




External fitting headlights see page 4.56.


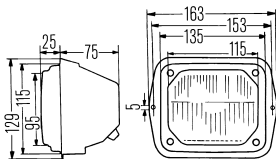


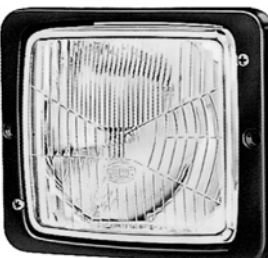
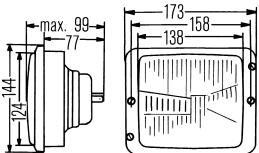




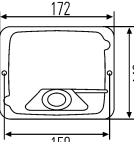
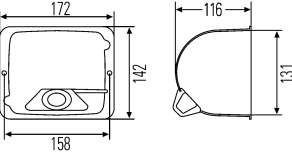




	Part no.	Pk.	Built-in headlights
 	<p><b>1BL 005 740-091</b></p> <p><b>1BL 005 740-101</b></p>	<p>1</p> <p>1</p>	<p><b>With H1 light, side light and sealing cap.</b> <b>Light aperture: 190 x 132 mm.</b></p> <p><b>(E1) 7414</b></p> <p><b>DE®-H1 dipped-beam headlight, left</b></p> <p><b>right</b></p> <p> 1x12V55W (H1) 8GH 002 089-133 1x24V70W (H1) 8GH 002 089-251</p> <p> 1x12V4W (T4W) 8GP 002 067-121 1x24V4W (T4W) 8GP 002 067-241</p>
	<p><b>1FE 005 478-011</b></p> <p><b>1FE 005 478-021</b></p>	<p>1</p> <p>1</p>	<p><b>With H1 light, sealing cap, supporting frame and adjusting devices.</b> Mounting depth: 133 mm. <b>Light aperture: 190 x 132 mm.</b></p> <p><b>(E1) 44408 (E1) 34517</b></p> <p><b>H1 driving light, left</b></p> <p><b>right</b></p> <p> 1x12V55W (H1) 8GH 002 089-133</p>
 	<p><b>1AE 003 427-151</b></p> <p><b>1AE 003 427-161</b></p>	<p>1</p> <p>1</p>	<p><b>With H4 light, side light and sealing cap.</b> For SAE headlight receiving unit. <b>With supporting frame and adjusting devices.</b> <b>Light aperture: 190 x 132 mm.</b></p> <p><b>(E1) 24523</b></p> <p><b>H4 headlight, left</b></p> <p><b>right</b></p> <p> 1x12V60/55W (H4) 8GJ 002 525-131 1x24V70/75W (H4) 8GJ 002 525-251</p> <p> 1x12V4W (T4W) 8GP 002 067-121 1x24V4W (T4W) 8GP 002 067-241</p>

# Headlights

248 x 117 mm



	Part no.	Pk.	Built-in headlights
 	  <b>1DL 005 600-097</b> <b>1DL 005 600-107</b>	  1 1	<p><b>With H1 dipped-beam and main-beam light. With side light, sealing cap and 24V bulbs. Light aperture: 248 x 117 mm.</b></p> <p>(E1) 7411</p> <p><b>DE-H1 headlight without cable, left</b></p> <p><b>right</b></p> <p> 2x24V70W (H1) 8GH 002 089-251</p> <p> 1x24V4W (T4W) 8GP 002 067-241</p>
  	  <b>1DL 007 872-017</b> <b>1DL 007 872-027</b>  <b>1DL 007 872-037</b> <b>1DL 007 872-047</b>  <b>1DL 007 872-077</b> <b>1DL 007 872-087</b>  <b>9AH 149 259-015</b> <b>9AH 149 260-015</b> <b>6NM 007 231-037</b>	  1 18  1 1 1 1 4 4 36	<p><b>With H1 dipped-beam and main-beam light. With side light. Light aperture: 248 x 117 mm.</b></p> <p>(E1) 7411</p> <p><b>DE-H1 headlight with electric headlight leveller and 24V bulbs, without cable, left</b></p> <p><b>right</b></p> <hr/> <p><b>Without electric headlight leveller, suitable for headlight leveller, with 24V bulbs, without cable, left</b></p> <p><b>right</b></p> <p><b>with cable, left</b></p> <p><b>right</b></p> <p><b>Spare parts:</b> Supporting frame with adj. devices, left right Headlight leveller, 24V for -017/-027</p> <p> 2x12V55W (H1) 8GH 002 089-133   2x24V70W (H1) 8GH 002 089-251</p> <p> 1x12V4W (T4W) 8GP 002 067-121   1x24V4W (T4W) 8GP 002 067-241</p>

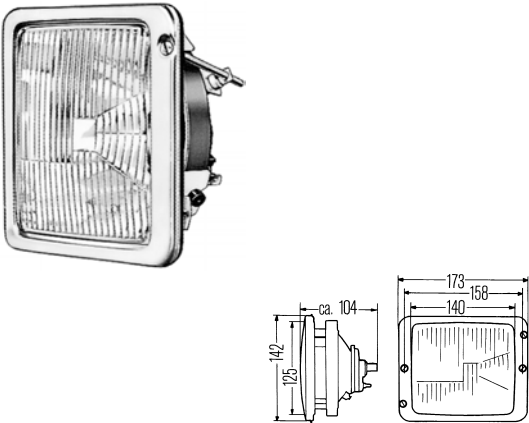


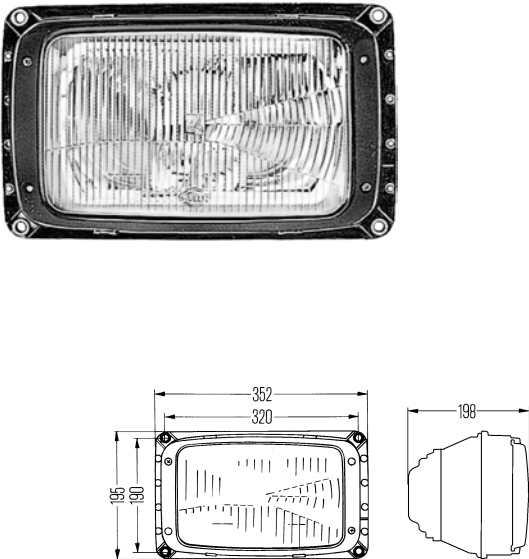


	Part no.	Pk.	Built-in headlights
 	<p><b>1TA 003 570-001</b></p> <p><b>1TA 122 718-001</b></p>	<p>1</p> <p>1</p>	<p><b>For vehicles with max. speed of 25 km/h, e.g. for agricultural machines. Symmetrical light, with side light.</b> Black plastic housing and lens-retaining rim. Mounting depth: 75 mm. <b>Light aperture: 115 x 95 mm.</b></p> <p>K 21090 **)</p> <p><b>Headlight with permanently dipped-beam</b></p> <p><b>Spare parts:</b> Light unit</p> <p> 1x12V15W (Q) -</p> <p> 1x12V4W (T4W) 8GP 002 067-121</p>
 	<p><b>1AA 004 109-031</b></p> <p><b>1AA 004 109-001</b></p> <p>1AA 126 924-035</p> <p>9FF 111 606-021</p> <p><b>9BG 127 426-001</b></p>	<p>1</p> <p>1</p> <p>1</p> <p>10</p> <p>4</p>	<p><b>With normal light and cap.</b> Supporting frame made of black plastic. Mounting depth: 99 mm. Type of protection: IP5K4K. <b>Light aperture: 138 x 124 mm.</b></p> <p>(E1) 34446</p> <p><b>Headlight with side light</b></p> <p><b>without side light</b></p> <p><b>Spare parts:</b> Light unit for -031 Bulb holder for side light</p> <p><b>Accessories:</b> Built-in housing</p> <p> 1x12V45/40W (R2) 8GD 002 088-131</p> <p> 1x24V55/50W (R2) 8GD 002 088-251</p> <p> 1x12V4W (T4W) 8GP 002 067-121</p> <p> 1x24V4W (T4W) 8GP 002 067-241</p>
 	<p><b>1AA 004 109-041</b></p> <p><b>1AA 004 109-021</b></p> <p>1AA 127 473-015</p> <p>9FF 111 606-021</p> <p><b>9BG 127 426-001</b></p>	<p>1</p> <p>1</p> <p>1</p> <p>10</p> <p>4</p>	<p>(E1) 34463</p> <p><b>H4 headlight with side light</b></p> <p><b>without side light</b></p> <p><b>Spare parts:</b> Light unit for -021 Bulb holder for side light</p> <p><b>Accessories:</b> Built-in housing</p> <p> 1x12V60/55W (H4) 8GJ 002 525-131</p> <p> 1x24V75/70W (H4) 8GJ 002 525-251</p> <p> 1x12V4W (T4W) 8GP 002 067-121</p> <p> 1x24V4W (T4W) 8GP 002 067-241</p>

\*\*) National type test for Germany


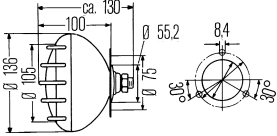



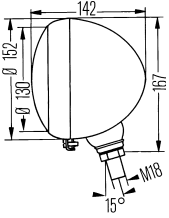


# Headlights

125 x 140 mm, 270 x 170 mm



	<p><b>Part no.</b></p> <p><b>1AB 001 100-001</b></p> <p>9AG 104 328-001 9DR 104 336-001 9FH 093 887-001</p>	<p><b>Pk.</b></p> <p>1 2 1 10</p>	<p><b>Built-in headlights</b></p> <p><b>For vehicles with max. speed of 40 km/h..</b> <b>With normal light and side light.</b> Silver coloured lens-retaining rim. Mounting depth: 104 mm. <b>Light aperture: 125 x 140 mm.</b></p> <p>(E1) 4578</p> <p><b>Headlight</b></p> <p><b>Spare parts:</b> Lens-retaining rim with lens and adjusting devices Reflector Bulb holder</p> <p> 1x12V45/40W (R2) 8GD 002 088-131 1x24V55/50W (R2) 8GD 002 088-251</p> <p> 1x12V4W (T4W) 8GP 002 067-121 1x24V4W (T4W) 8GP 002 067-241</p>
	<p><b>1AG 003 434-051</b></p> <p><b>1AG 003 434-137</b></p> <p>9ES 120 743-001 9DE 122 850-005 9GT 067 751-001</p> <p><b>1AG 003 434-251</b></p> <p>9ES 120 743-001 9DE 132 750-015 9HD 121 297-035 9GT 067 751-001</p>	<p>1 1 2 2 10 1 2 2 1 10</p>	<p><b>With H4 main light and side light.</b> Mounting depth: 117 mm. Type of protection: IP5K4K. <b>Light aperture: 270 x 170 mm.</b></p> <p>(E1) 24496 (E1) 24540</p> <p><b>H4 headlight</b> <b>with metal supporting frame, black enamel finish</b> <b>and device for light range regulation</b></p> <p><b>With plastic supporting frame,</b> <b>without device for light range regulation</b></p> <p><b>Spare parts:</b> Lens Reflector Grommet</p> <hr/> <p><b>With plastic supporting frame</b> <b>and device for light range regulation</b></p> <p><b>Spare parts:</b> Lens Reflector Sealing cap Grommet</p> <p> 1x12V60/55W (H4) 8GJ 002 525-131 1x24V75/70W (H4) 8GJ 002 525-251</p> <p> 1x12V4W (T4W) 8GP 002 067-121 1x24V4W (T4W) 8GP 002 067-241</p>




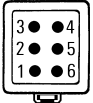
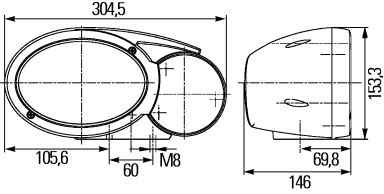
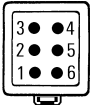
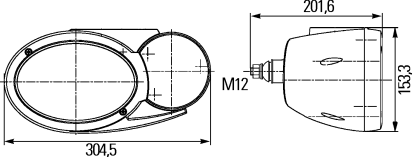



	Part no.	Pk.	External-fitting headlights
 	<p><b>1X0 001 515-021</b></p> <p>9GD 023 639-001 9KS 075 139-001</p>	<p>1 10 10</p>	<p><b>Suitable for various tractors.</b> <b>Symmetrical light, without side light.</b> Black housing and lens-retaining rim with protective grille. M14 x 1.5 hollow fixing bolt. <b>Light aperture: 105 mm dia.</b></p> <p>K 21055 **)</p> <p><b>Headlight with permanently dipped beam</b></p> <p><b>Spare parts:</b> Seal Lens-retaining spring</p> <p> 1x12V35W (F2) 8GA 002 083-131  1x24V35W (F2) 8GA 002 083-251</p>
 	<p><b>1S3 001 117-041</b></p> <p>9AG 017 970-001 9ES 015 675-001 9GD 024 183-001 9DR 060 567-001 9FF 090 500-001 9KS 075 307-001</p>	<p>1 5 1 10 1 2 10</p>	<p><b>Symmetrical light, with side light.</b> Black housing, with M18 x 32 hollow fixing bolt. <b>Light aperture: 130 mm dia.</b></p> <p>K 21032 **) K 21037 **)</p> <p><b>Headlight</b></p> <p><b>Spare parts:</b> Lens-retaining rim Lens Seal Reflector Bulb holder for side light Lens-retaining spring</p> <p> 1x12V35/35W (S2) 8GD 002 084-131</p> <p> 1x12V4W (T4W) 8GP 002 067-121</p>



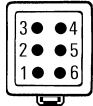

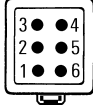







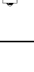
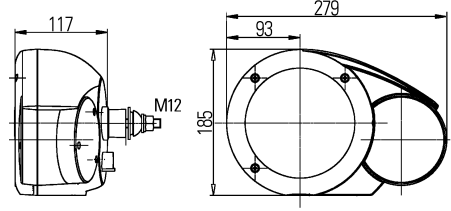
\*\*) National type test for Germany

# Headlights

161 x 100 mm



	Part no.	Pk.	External-fitting headlights
    	<p><b>1EB 996 167-031</b> <b>1EB 996 167-038</b></p> <p><b>1EB 996 167-041</b> <b>1EB 996 167-048</b></p> <p><b>1EB 996 167-177</b></p> <p><b>1EB 996 167-187</b></p> <p>1AB 990 335-111</p> <p>9EL 990 354-011</p> <p>9EL 990 354-021</p> <p>9EL 990 354-031</p> <p>9EL 990 354-041</p>	<p>1</p> <p>18</p> <p>1</p> <p>18</p> <p>15</p> <p>15</p> <p>1</p> <p>1</p> <p>1</p> <p>1</p>	<p><b>Combi 120</b>  <b>With H4 light and side light.</b>  <b>Indicator light attached at the side, with transparent lens toward the front and grey lens toward the rear</b>          Reflector made of plastic, glued to glass lens.          Black plastic body and lens-retaining rim.          2 fixing screws M8 (below).  <b>With DEUTSCH plug connector and 12V bulbs.</b>  <b>Light aperture: 161 x 100 mm.</b></p> <p>Ⓔ1 1502 Headlight</p> <p>Ⓔ4 6542 Indicator light front</p> <p>Ⓔ4 6543 Indicator light rear</p> <p><b>H4 headlight, left</b></p> <p><b>right</b></p> <hr/> <p><b>With M12 fixing screw for centre-mounting, left</b></p> <p><b>right</b></p> <p><b>Spare parts:</b>          Light unit          Lens for indicator light,          transparent toward the front, left          transparent toward the front, right          grey towards the rear, left          grey towards the rear, right</p> <p> 1x12V60/55W (H4) 8GJ 002 525-131          1x24V75/70W (H4) 8GJ 002 525-251</p> <p> 1x12V4W (T4W) 8GP 002 067-121          1x24V4W (T4W) 8GP 002 067-241</p> <p> 1x12V21W (PY21W) 8GA 006 841-121          1x24V21W (PY21W) 8GA 006 841-241</p>


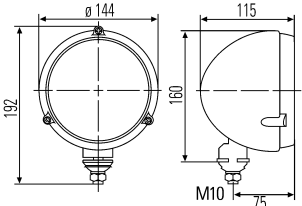



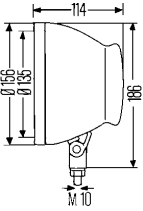


	Part no.	Pk.	External-fitting headlights
			<p><b>Combi 133</b></p> <p><b>With H4 light, side light and indicator light attached at the side, with amber lens toward front and rear.</b></p> <p>Reflector made of plastic, glued to non-patterned glass lens. Black plastic body and lens-retaining rim. Type of protection: IP5K4K.</p> <p><b>With DEUTSCH plug connector and 24V bulbs. Light aperture: 135 mm dia.</b></p> <p>Ⓔ4 10198 Headlight</p> <p>Ⓔ4 6542 Indicator light front</p> <p>Ⓔ4 6543 Indicator light rear</p>
	 <p>1E3 996 160-671 *)</p> <p>1E3 996 160-681 *)</p>	<p>1</p> <p>1</p>	<p><b>H4 headlight with two M8 fixing screws (below), left</b></p> <p><b>right</b></p>
	 <p>1E3 996 160-637 *)</p> <p>1E3 996 160-647 *)</p>	<p>18</p> <p>18</p>	<p><b>Indicator light with transparent lens toward front and grey lens toward rear.</b></p> <p><b>With M12 fixing screw for centre-mounting and 24V bulbs, left</b></p> <p><b>right</b></p> <p><b>Spare parts:</b></p> <p>Lens for indicator light,</p> <p>9EL 990 354-111 1 amber toward the front, left</p> <p>9EL 990 354-121 1 amber toward the front, right</p> <p>9EL 990 354-131 1 amber toward the rear, left</p> <p>9EL 990 354-141 1 amber toward the rear, right</p> <p>9EL 990 354-011 1 transparent toward the front, left</p> <p>9EL 990 354-021 1 transparent toward the front, right</p> <p>9EL 990 354-031 1 grey toward the rear, left</p> <p>9EL 990 354-041 1 grey toward the rear, right</p> <p> 1x12V60/55W (H4) 8GJ 002 525-131</p> <p> 1x24V75/70W (H4) 8GJ 002 525-251</p> <p> 1x12V4W (T4W) 8GP 002 067-121</p> <p> 1x24V4W (T4W) 8GP 002 067-241</p> <p> 1x12V21W (PY21W) 8GA 006 841-121</p> <p> 1x24V21W (PY21W) 8GA 006 841-241</p> <p> 1x12V21W (P21W) 8GA 002 073-121</p> <p> 1x24V21W (P21W) 8GA 002 073-241</p>
			

\*) In the case of new vehicles these can only be approved for agricultural and construction machinery.

# Headlights


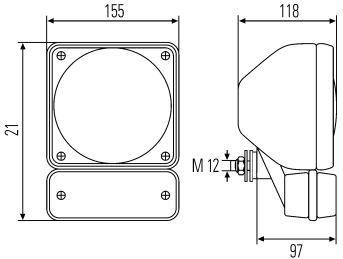




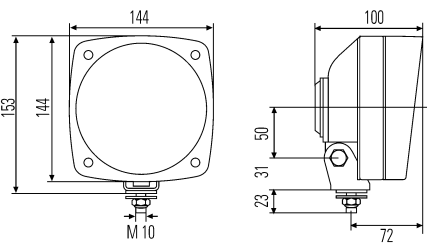






132 mm dia., 135 mm dia.



	Part no.	Pk.	External-fitting headlights
 	<p><b>1A3 996 002-191</b></p> <p><b>1A3 996 002-161</b></p> <p>1A3 990 016-011</p>	<p>1</p> <p>1</p> <p>1</p>	<p><b>With H4 light.</b> Black plastic housing and lens-retaining rim. <b>Light aperture: 132 mm dia.</b></p> <p>(E12) 20001 (E12) 20002</p> <p><b>H4 headlight without side light</b></p> <p><b>with side light</b></p> <p><b>Spare parts:</b> Light unit for -161</p> <p> 1x12V60/55W (H4) 8GJ 002 525-131 1x24V75/70W (H4) 8GJ 002 525-251</p> <p> 1x12V4W (T4W) 8GP 002 067-121 1x24V4W (T4W) 8GP 002 067-241</p>
 	<p>Ref. 12.5</p> <p><b>1A3 002 850-001</b> )</p> <p><b>1A3 002 850-031</b></p> <p>9GH 126 647-011</p> <p><b>9BG 127 179-001</b></p>	<p>1</p> <p>1</p> <p>10</p> <p>1</p>	<p><b>With H4 light.</b> Rubber housing and suitable light units are to be ordered separately. <b>Light aperture: 135 mm dia.</b></p> <p>(E1) 14578 (E1) 24542</p> <p><b>H4 headlight without side light</b></p> <p><b>with side light and T4W bulb</b></p> <p><b>Spare parts:</b> Sealing cap</p> <p><b>Accessories:</b> Rubber housing with M10 fixing screw</p> <p> 1x12V60/55W (H4) 8GJ 002 525-131</p> <p> 1x12V4W (T4W) 8GP 002 067-121</p>

\*\*) Worklight see page 4.104

Accessories see page 4.117


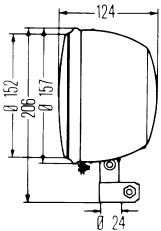



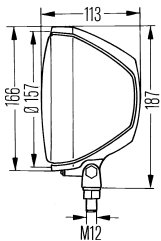

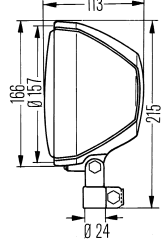




	Part no.	Pk.	External-fitting headlights
 	<p><b>1E5 996 124-001</b></p> <p>1A3 002 850-031 9EL 990 267-001</p>	<p>1</p> <p>1</p> <p>1</p>	<p><b>With H4 light, side light and amber indicator light.</b> Indicator light can be fitted laterally. Black plastic housing. Universal bracket with M12 fixing screw. <b>Light aperture: 135 mm dia.</b></p> <p>Ⓔ1 14578 Headlight</p> <p>Ⓔ12 6086 Indicator light</p> <p><b>H4 headlight</b></p> <p><b>Spare parts:</b> Light unit Lens for indicator light</p> <p> 1x12V60/55W (H4) 8GJ 002 525-131 1x24V75/70W (H4) 8GJ 002 525-251</p> <p> 1x12V4W (T4W) 8GP 002 067-121 1x24V4W (T4W) 8GP 002 067-241</p> <p> 1x12V21W (P21W) 8GA 002 073-121 1x24V21W (P21W) 8GA 002 073-241</p>
   	<p><b>1A3 996 026-121</b></p> <p>8JA 990 065-001</p> <p><b>1A3 996 026-011</b></p> <p><b>1A3 996 026-021</b></p> <p>1A3 990 062-041</p> <p>8JA 990 065-001</p>	<p>1</p> <p>10</p> <p>1</p> <p>1</p> <p>1</p> <p>10</p>	<p><b>With normal light and side light.</b> Black plastic body. <b>Light aperture: 140 mm dia.</b></p> <p>Ⓔ12 1001    Ⓔ12 1002</p> <p><b>Headlight</b></p> <p><b>Spare parts:</b> Plug for R2 bulb</p> <p> 1x12V45/40W (R2) 8GD 002 088-131 1x24V55/50W (R2) 8GD 002 088-251</p> <p> 1x12V4W (T4W) 8GP 002 067-121 1x24V4W (T4W) 8GP 002 067-241</p> <hr/> <p><b>With H4 light.</b></p> <p>Ⓔ12 20001    Ⓔ12 20002</p> <p><b>H4 headlight with side light</b></p> <p><b>without side light</b></p> <p><b>Spare parts:</b> Light unit for -011</p> <p>Plug for H4 bulb</p> <p> 1x12V60/55W (H4) 8GJ 002 525-131 1x24V75/70W (H4) 8GJ 002 525-251</p> <p> 1x12V4W (T4W) 8GP 002 067-121 1x24V4W (T4W) 8GP 002 067-241</p>

Accessories see page 4.117


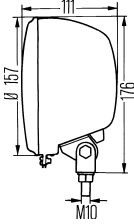


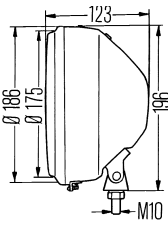





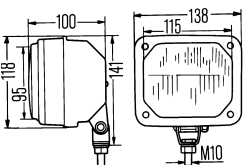




# Headlights

157 mm dia.



	Part no.	Pk.	External-fitting headlights
 	<p><b>1A5 003 178-231</b></p>	<p>1</p>	<p><b>With H4 light and side light.</b>            Black housing.            With 24 mm dia. tubular base.  <b>Light aperture: 157 mm dia.</b></p> <p>(E1) 24423</p> <p><b>H4 headlight</b></p> <p> 1x12V60/55W (H4) 8GJ 002 525-131            1x24V75/70W (H4) 8GJ 002 525-251</p> <p> 1x12V4W (T4W) 8GP 002 067-121            1x24V4W (T4W) 8GP 002 067-241</p>
 	<p><b>1A5 003 178-411</b></p>	<p>1</p>	<p><b>With conventional light and side light.</b>            Black plastic housing.            Type of protection: IP5K4K.  <b>Light aperture: 157 mm dia.</b></p> <p>(E1) 24450</p> <p><b>Headlight with universal bracket and solid M12 screw</b></p>
 	<p><b>1A5 003 178-401</b></p>	<p>1</p>	<p><b>with 24 mm dia. tubular base</b></p> <p> 1x12V45/40W (R2) 8GD 002 088-131            1x24V55/50W (R2) 8GD 002 088-251</p> <p> 1x12V4W (T4W) 8GP 002 067-121            1x24V4W (T4W) 8GP 002 067-241</p>
	<p><b>1S5 003 178-431</b></p>	<p>1</p>	<p><b>For delivery vans and tractors. Symmetrical light with side light.</b>            Black plastic housing.  <b>Light aperture: 157 mm dia.</b></p> <p>K 21085 **)</p> <p><b>Headlight with universal bracket and solid M12 screw</b></p>
	<p><b>1S5 003 178-421</b></p>	<p>1</p>	<p><b>with 24 mm dia. tubular base</b></p> <p> 1x12V35/35W (S2) 8GD 002 084-131            1x24V45/40W (S2) 8GD 002 084-251</p> <p> 1x12V4W (T4W) 8GP 002 067-121            1x24V4W (T4W) 8GP 002 067-241</p>

\*\*) National type test for Germany

	Part no.	Pk.	External-fitting headlights
 	<p><b>1A5 003 190-001</b></p> <p><b>1A5 118 740-001</b></p>	<p>1</p> <p>1</p>	<p><b>With H4 light, without side light.</b>            Silver coloured housing.            Suitable for two-point fixing.            Universal bracket with M10 fixing screw.            Type of protection: IP5K4K.  <b>Light aperture: 157 mm dia.</b></p> <p>(E1) 24423</p> <p><b>H4 headlight</b></p> <p><b>Spare parts:</b>            Light unit</p> <p> 1x12V60/55W (H4) 8GJ 002 525-131</p>
 	<p><b>1A7 003 099-001</b></p> <p><b>1A7 003 099-011</b></p> <p><b>1A7 117 596-001</b></p> <p><b>1A7 118 750-001</b></p>	<p>1</p> <p>1</p> <p>1</p> <p>1</p>	<p><b>With H4 main light.</b>            Silver-coloured housing.            Universal bracket with M10 fixing screw.            Type of protection: IP5K4K.  <b>Light aperture: 175 mm dia.</b></p> <p>(E1) 24417</p> <p><b>H4 headlight without side light</b></p> <p><b>with side light</b></p> <p><b>Spare parts:</b>            Light unit            for -001            for -011</p> <p> 1x12V60/55W (H4) 8GJ 002 525-131   1x24V75/70W (H4) 8GJ 002 525-251</p> <p> 1x12V4W (T4W) 8GP 002 067-121   1x24V4W (T4W) 8GP 002 067-241</p>
 	<p><b>1TA 003 570-101</b></p> <p><b>1TA 122 718-021</b></p>	<p>1</p> <p>1</p>	<p><b>For vehicles with max. speed of 25 km/h; e. g. for agricultural machines.</b>  <b>With symmetrical light and side light.</b>            Black plastic housing and lens-retaining rim.            Universal bracket with M10 fixing screw.            Type of protection: IP5K4K.  <b>Light aperture: 115 x 95 mm.</b></p> <p>K 21090 **)</p> <p><b>Headlight with permanently dipped beam</b></p> <p><b>Spare parts:</b>            Light unit</p> <p> 1x12V15W (Q)   1x24V30W (Q)</p> <p> 1x12V4W (T4W) 8GP 002 067-121   1x24V4W (T4W) 8GP 002 067-241</p>

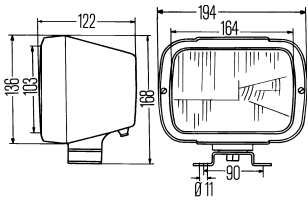

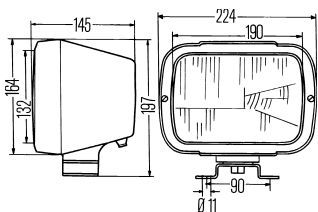






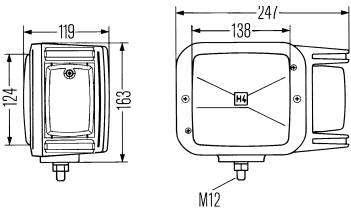
Accessories see page 4.117

\*\* ) National type test for Germany


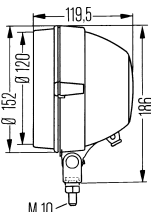


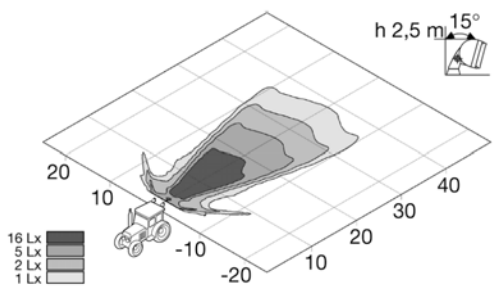

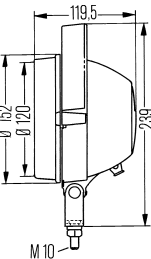

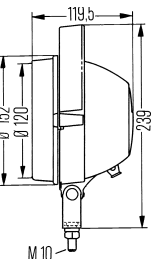

# Headlights

164 x 103 mm, 190 x 132 mm, 138 x 124 mm



Part no.	Pk.	External-fitting headlights
		<p><b>With H4 main light and side light.</b> Black plastic housing and lens-retaining rim. With U-shaped bracket for mounting on flat or slightly curved body surfaces. Type of protection: IP5K4K. <b>Light aperture: 164 x 103 mm.</b></p> <p>Ⓔ 24461    Ⓔ 24460</p>
<p><b>1AB 004 231-001</b></p> 	<p>1</p>	<p><b>H4 headlight</b></p> <p><b>Spare parts:</b> Light unit with sealing cap Sealing cap</p>
<p><b>1AE 004 234-001</b></p> 	<p>1</p>	<p><b>H4 headlight</b></p> <p><b>Spare parts:</b> Light unit Sealing cap</p>
<p>1AE 003 427-021 9GH 126 647-011</p>	<p>1 10</p>	<p><b>Light aperture: 190 x 132 mm.</b></p> <p>Ⓔ 34548    Ⓔ 24523</p>
<p>1x12V60/55W (H4) 8GJ 002 525-131 1x24V75/70W (H4) 8GJ 002 525-251</p> <p>1x12V4W (T4W) 8GP 002 067-121 1x24V4W (T4W) 8GP 002 067-241</p>		<p> 1x12V60/55W (H4) 8GJ 002 525-131 1x24V75/70W (H4) 8GJ 002 525-251</p> <p> 1x12V4W (T4W) 8GP 002 067-121 1x24V4W (T4W) 8GP 002 067-241</p>
		<p><b>With H4 main light, side light and attached amber indicator light.</b> Black plastic housing. Universal bracket with M12 fixing screw. Type of protection: IP5K4K. <b>Light aperture: 138 x 124 mm.</b></p> <p>Ⓔ 34463 Headlight</p> <p>Ⓔ 32670 Indicator light</p>
<p><b>1EA 007 108-011</b> <b>1EA 007 108-017</b></p>	<p>1 30</p>	<p><b>H4 headlight, left</b></p>
<p><b>1EA 007 108-021</b> <b>1EA 007 108-027</b></p>	<p>1 30</p>	<p><b>right</b></p>
<p>1AA 143 897-011 9FF 111 606-021</p>	<p>1 1</p>	<p><b>Spare parts:</b> Light unit Bulb holder for side light</p>
<p>9EL 113 639-011 9EL 113 639-021</p>	<p>2 2</p>	<p>Lens for indicator light, left right</p>
<p>1x12V60/55W (H4) 8GJ 002 525-131 1x24V75/70W (H4) 8GJ 002 525-251</p> <p>1x12V4W (T4W) 8GP 002 067-121 1x24V4W (T4W) 8GP 002 067-241</p> <p>1x12V21W (P21W) 8GA 002 073-121 1x24V21W (P21W) 8GA 002 073-241</p>		<p> 1x12V60/55W (H4) 8GJ 002 525-131 1x24V75/70W (H4) 8GJ 002 525-251</p> <p> 1x12V4W (T4W) 8GP 002 067-121 1x24V4W (T4W) 8GP 002 067-241</p> <p> 1x12V21W (P21W) 8GA 002 073-121 1x24V21W (P21W) 8GA 002 073-241</p>
		

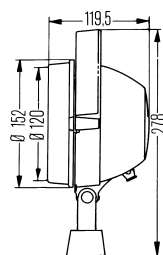
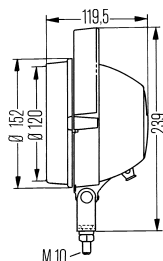
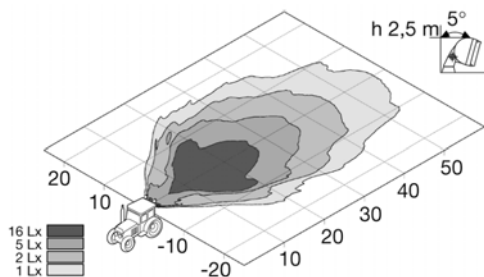
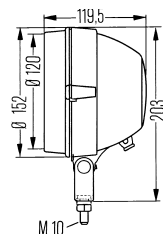
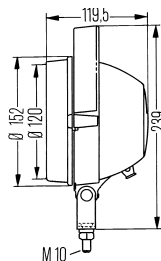
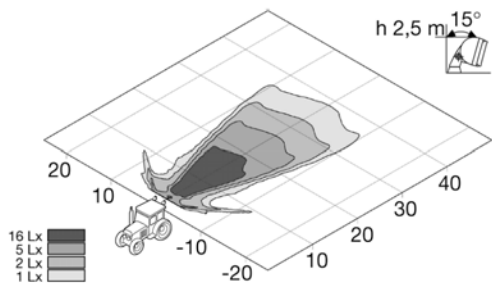


	Part no.	Pk.	External-fitting headlights
 	<p><b>1A3 005 760-501</b></p> <p><b>1A3 005 760-518</b></p>	<p>1</p> <p>1</p>	<p><b>5760</b></p> <p><b>With H4 light.</b> Reflector made of sheet metal, glued to glass lens. Black plastic housing and lens-retaining rim. Universal bracket with M10 fixing screw. Type de protection: IP5K4K. <b>Light aperture: 120 mm dia.</b></p> <p>(E1) 44413</p> <p>Rotates to permit mounting at 45° intervals in the vertical plane.</p> <p><b>H4 headlight without side light</b></p> <p><b>with side light</b></p> <p> 1x12V60/55W (H4) 8GJ 002 525-131 1x24V75/70W (H4) 8GJ 002 525-251</p> <p> 1x12V4W (T4W) 8GP 002 067-121 1x24V4W (T4W) 8GP 002 067-241</p>
			<p><b>External-fitting work lights</b></p> <p><b>5760</b></p> <p><b>Lens pattern for far-reaching illumination.</b> Recommended angle of inclination: 15° - 20°. Reflector made of sheet metal, glued to glass lens. Black plastic housing with extending edge to protect lens. Pivot base with M10 fixing screw. Without vibration damping. For upright or pendant mounting. Type of protection: IP5K4K. <b>With grommet.</b> <b>Light aperture: 120 mm dia.</b></p>
 	<p><b>1G3 005 760-221</b></p> <p><b>1G3 005 760-227</b></p>	<p>1</p> <p>27</p>	<p><b>H3 work light without handle, protective grill and switch</b></p>
 	<p><b>1G3 005 760-021</b></p> <p>1G3 135 211-011</p> <p>6EB 005 633-001</p>	<p>1</p> <p>1</p> <p>10</p>	<p><b>With handle, protective grill, switch and longer bracket holder</b></p> <p><b>Spare parts:</b> Light unit Switch</p> <p> 1x12V35W (H3) 8GH 002 090-271 1x12V55W (H3) 8GH 002 090-133 1x24V70W (H3) 8GH 002 090-251</p>

Accessories see page 4.117

# "5760" Light Series

120 mm dia.



Part no.

Pk.

## External-fitting work lights

### 5760

**Lens pattern for far-reaching illumination.**  
Recommended angle of inclination: 15° - 20°.  
Lens with steel reflector bonded.  
Black plastic housing with extending edge to protect lens.  
Pivot base with M10 fixing screw.  
Without vibration damping.  
For upright or pendant mounting.  
Type of protection: IP5K4K.  
**With grommet.**  
**Light aperture: 120 mm dia.**

1G3 005 760-001

1

**H3 work light with handle and switch**

1G3 005 760-011

1

**Without switch**

1G3 005 760-031

1

**Without switch**

1G3 005 760-201

1

**Without handle and switch**

1G3 005 760-207

27

1G3 005 760-211

1

**with switch and longer bracket holder**

1G3 135 211-011

1

**Spare parts:**

6EB 005 633-001

10

Light unit  
Switch

**Lens pattern for close-range illumination.**

Recommended angle of inclination: 20° - 30°.

**With handle and switch.**

**Light aperture: 120 mm dia.**

1G3 005 760-041

1

**H3 work light**

1G3 141 019-011

1

**Spare parts:**

6EB 005 633-001

10

Light unit  
Switch

1G3 005 760-057

1

**Mounting bracket for four-point mounting.**  
Distance between screws: 32 mm or 82 mm.

1G3 141 019-011

1

**Spare parts:**

6EB 005 633-001

10

9XD 130 261-001


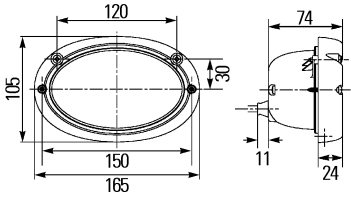

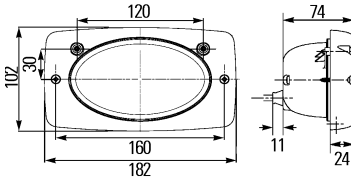


5

Light unit  
Switch  
U-bracket

1x12V35W (H3) 8GH 002 090-271  
1x12V55W (H3) 8GH 002 090-133  
1x24V70W (H3) 8GH 002 090-251

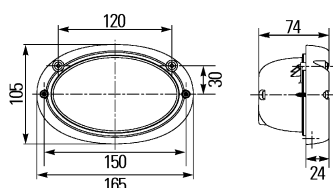
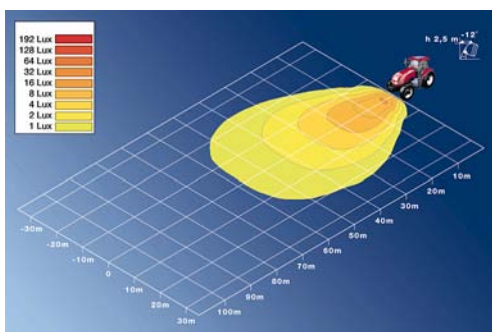
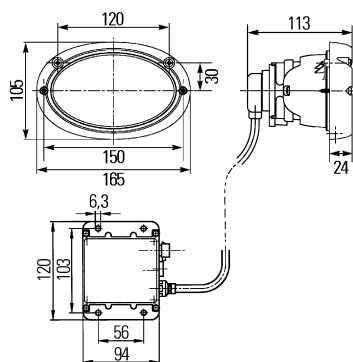
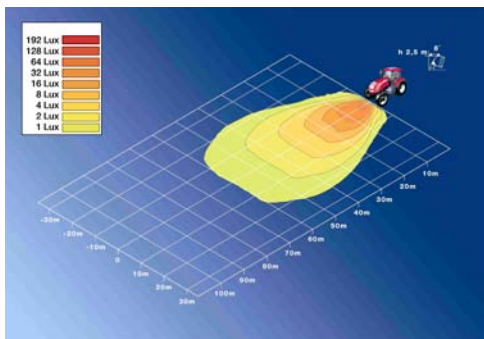


Accessories see page 4.117

	Part no.	Pk.	Built-in headlights
 	<p><b>1BA 996 261-021</b></p> <p><b>1KA 996 261-091</b></p>	<p>1</p> <p>1</p>	<p><b>Oval 100</b></p> <p><b>With H7 light, for permanent dipped-beam.</b>            Particularly suitable as a high-mounted headlight, if the main headlights are covered by devices mounted to the front.            Mounting frame, inclination adjustable by 6°.            Reflector made of plastic, glued to non-patterned glass lens.            Black plastic mounting frame with extending edge to protect lens.            With B4,2 x 45 mm fixing screws.  <b>With grommet.</b>  <b>Light aperture: 130 x 75 mm.</b></p> <p>Ⓔ 0004 SAE/FMVSS 108</p> <p><b>H7 headlight with oval mounting frame</b></p> <p><b>H7 main-beam headlight with oval mounting frame</b></p>
 	<p><b>1BA 996 261-081</b></p>	<p>1</p>	<p><b>H7 headlight with angular mounting frame, fits into mounting holes of headlights 1AB/1GB 006 213-...</b></p> <p> 1x12V55W (H7) 8GH 007 157-121   1x24V70W (H7) 8GH 007 157-241</p>

# "Oval 100" Light Series

130 x 75 mm



Part no.

Pk.

## Built-in work lights

### Oval 100 Xenon

**Lens pattern for close-range illumination.**  
Recommended angle of inclination: 10° - 15°.  
Reflector made of diecast aluminium, glued to hardened glass lens.  
Black plastic housing with extending edge to protect lens.  
Two 4.2 x 45 mm fixing screws.  
Distance between screws: 150 mm.  
Mounting area: 142 x 92 mm.  
Type of protection: IP5K4K.  
**With gas discharge bulb.**  
**Light aperture: 130 x 75 mm.**

1GA 996 361-581

1

**Xenon work light with single reflector and 24V ballast unit**

5DV 008 710-171

1

### Spare parts:

Ballast unit, 24V

8JD 156 151-807

1

Plug set (20 pcs.)



1x35W (D2S) 8GS 007 949-101

### Lens pattern for ground illumination.

Recommended angle of inclination: 10° - 15°.  
Reflector made of diecast aluminium, glued to hardened glass lens.  
Black plastic housing with extending edge to protect lens.  
Two 4 x 40 mm fixing screws.  
Distance between screws: 150 mm.  
Mounting area: 142 x 92 mm.  
Type of protection: IP5K4K.  
**Light aperture: 130 x 75 mm.**

1GA 996 161-111

1

**FF® H3 work light with double reflector, AMP plug connector and 12V55W bulbs**

1GA 996 161-351

1

**with single reflector, AMP plug connector and 12V55W bulb**

9GH 993 984-001

1

### Spare parts:

Sealing cap for AMP plug connector

8JD 008 151-011

10

Socket for AMP plug connector

8KW 701 235-033

100

Blade receptacles, 6.3 mm

8KB 990 299-001

1

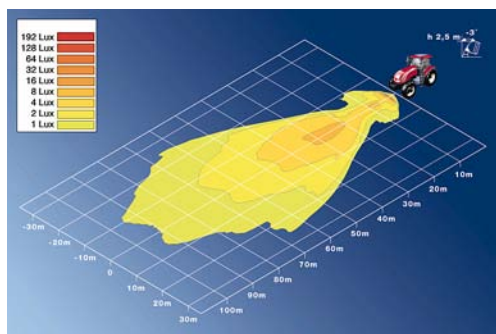
2000 mm long connection lead for AMP plug connector with cap

2(1)x12V35W (H3) 8GH 002 090-271

2(1)x12V55W (H3) 8GH 002 090-133

2(1)x24V70W (H3) 8GH 002 090-251





1GA 996 161-101

1

**Built-in work lights**

**Oval 100 with FF® reflector**

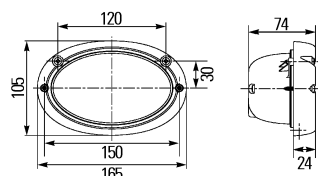
**Lens pattern for long-range illumination.**

Recommended angle of inclination: 10° - 15°.  
 Reflector made of diecast aluminium, glued to hardened glass lens.  
 Black plastic housing with extending edge to protect lens.  
 Two 4 x 40 mm fixing screws.  
 Distance between screws: 150 mm.  
 Mounting area: 142 x 92 mm.  
 Type of protection: IP5K4K.  
**Light aperture: 130 x 75 mm.**

**FF® H3 work light**

**with oval lens-retaining rim, lens without optical pattern, single reflector, AMP plug connector with cap and 12V55W bulb**

**with oval lens-retaining rim, lens without optical pattern, single reflector and grommet, without bulb**



1GA 996 361-431

1



1GA 996 161-671

1

**With angular lens-retaining rim, fits into mounting holes of headlights 1AB/1GD 006 213-... Inclination 6°. AMP plug connector with cap. With 12V55W bulb**

**Spare parts:**

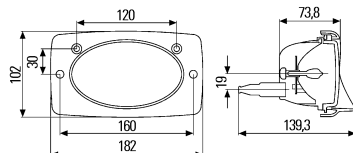
Sealing cap for AMP plug connector

**Accessories:**

Socket for AMP plug connector

Blade receptacles, 6.3 mm

2000 mm connection lead for AMP plug connector with cap



8JD 008 151-011

10

8KW 701 235-033

100

8KB 990 299-001

1

1(2)x12V35W (H3) 8GH 002 090-271

1(2)x12V55W (H3) 8GH 002 090-133

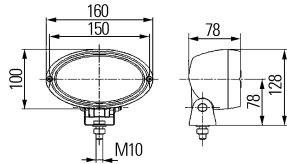
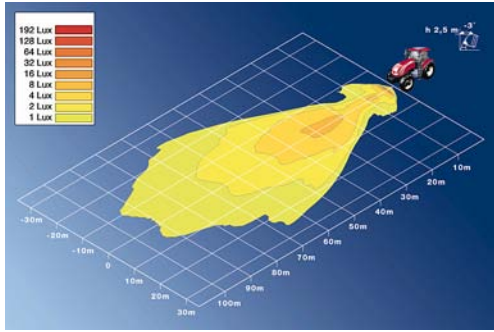
1(2)x24V70W (H3) 8GH 002 090-251





# "Oval 100" Light Series

130 x 75 mm



Part no.

Pk.

## External-fitting work lights

### Oval 100 with FF® reflector

#### Lens pattern for long-range illumination.

Recommended angle of inclination: 10° - 15°.

Reflector made of diecast aluminium, glued to hardened glass lens.

Black plastic housing with extending edge to protect lens.

Pivot base with M10 fixing screws for upright or pendant mounting.

Without vibration damping.

Type of protection: IP5K4K.

**With oval lens-retaining rim, lens without optical pattern, single reflector, AMP plug connector with cap and 12V55W bulb. Light aperture: 130 x 75 mm.**

1GA 996 161-281

1

FF® H3 work light

9GH 993 984-001

1

#### Spare parts:

Sealing cap for AMP plug connector

8JD 008 151-011

10

#### Accessories:

Socket for AMP plug connector

8KW 701 235-033

100

Blade receptacles, 6.3 mm

8KB 990 299-001

1

2000 mm long connection lead for AMP plug connector with cap

8HG 990 263-111

1

Mounting bracket for tubular mount on 15 mm - 28 mm dia. pipes

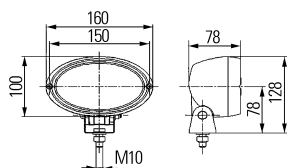
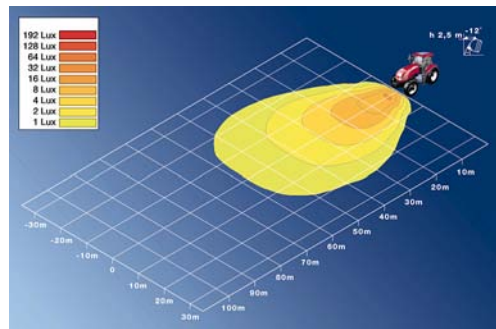
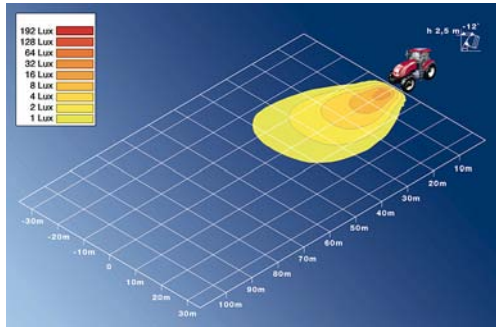
1x12V35W (H3) 8GH 002 090-271

1x12V55W (H3) 8GH 002 090-133

1x24V70W (H3) 8GH 002 090-251



Accessories see page 4.116-4.117



Part no.

Pk.

**External-fitting work lights**

**Oval 100 with FF® reflector**

**Lens pattern for wide close-range illumination.**

Recommended angle of inclination: 10° - 15°.  
 Reflector made of diecast aluminium, glued to hardened glass lens.  
 Black plastic housing with extending edge to protect lens.  
 Pivot base with M10 fixing screw for upright and pendant mounting.  
 Without vibration damping.  
 Pivot range vertical 105°.  
**Light aperture: 130 x 75 mm.**

**FF® H3 work light**

**with single reflector and grommet, without bulb**  
 Type of protection: IP5K4K

1GA 996 361-421

1

1GA 996 161-121

1

**with AMP plug connector and cap, single reflector and 12V55W bulb**  
 Type of protection: IP5K4K and IPX9K

1GA 996 161-581

1

**Pivot base with vibration damping and mounting bracket for four-point mounting, with single reflector and 24V70W bulb**

1GA 996 361-171

1

**Pivot base made of yellow chromised steel, with vibration damping, single reflector and 24V70W bulb**  
 Type of protection: IP5K4K and IPX9K

**Optical pattern for wide ground illumination.**

Recommended angle of inclination: 10° - 15°.

1GA 996 161-291

1

**With double reflector and 12V55W bulbs. Pivot base with M10 fixing screw, without vibration damping**



9GH 993 984-001

1

**Spare parts:**

Sealing cap for AMP plug connector

8JD 008 151-011

10

8KW 701 235-033

100

8KB 990 299-001

1

8HG 990 263-111

1

**Accessories:**

Socket for AMP plug connector

Blade receptacles, 6.3 mm

2000 mm connection lead for AMP plug connector with cap

Mounting bracket for tubular mount on 15 mm - 28 mm dia. pipes

1(2)x12V35W (H3) 8GH 002 090-271

1(2)x12V55W (H3) 8GH 002 090-133

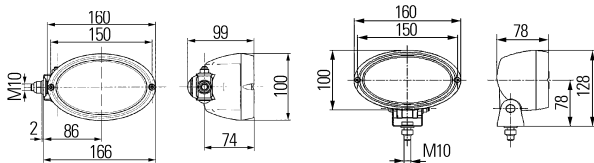
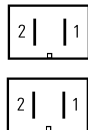
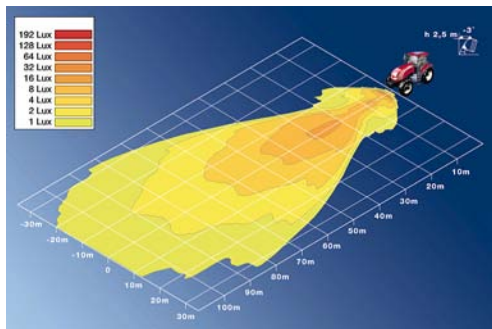
1(2)x24V70W (H3) 8GH 002 090-251



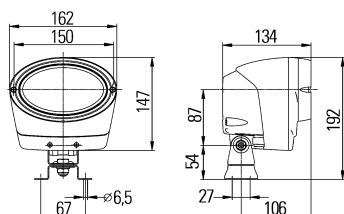
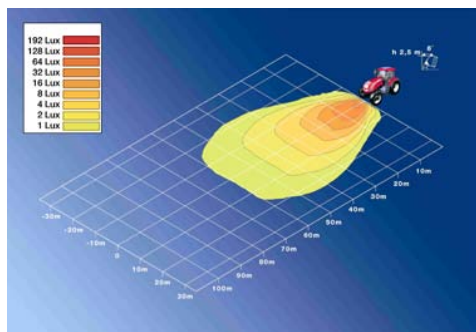
Accessories see page 4.116-4.117.

# "Oval 100" Light Series

130 x 75 mm



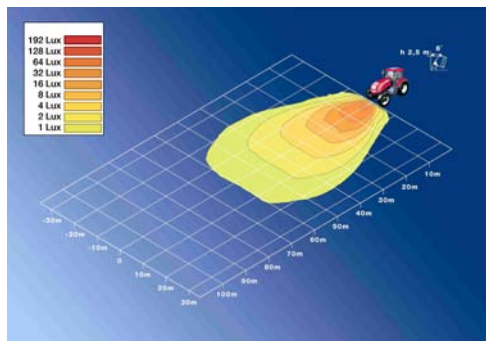
for 1GA 996 131-331



Part no.	Pk.	External-fitting work lights
		<p><b>Lens pattern for wide, far-reaching illumination</b>                      Recommended angle of inclination: 4° - 10°.                      Reflector made of diecast aluminium, glued to hardened glass lens.                      Black plastic housing with extending edge to protect lens.                      Pivot base with M10 fixing screw for upright or pendant mounting.                      Without vibration damping.                      Pivot range vertical 105°.                      Type of protection: IP5K4K.  <b>With AMP plug connector and cap.</b>  <b>Light aperture: 130 x 75 mm.</b></p> <p><b>FF-H3 work light, lens without optical pattern, with double reflector and 12V55W bulbs with 24V70W bulbs</b></p> <p><b>1GA 996 161-131</b> 1 same as -131, but with side pivot base for left mounting, also suitable for mounting on the right when the insert is turned through 180°</p> <p><b>1GA 996 361-011</b> 1</p> <p><b>1GA 996 161-331</b> 1</p> <p><b>Spare parts:</b>                      9GH 993 984-001 1 Cap for AMP plug connector</p> <p><b>Accessories:</b>                      8JD 008 151-011 10 Socket for AMP plug connector                      8KW 701 235-033 100 Blade receptacles, 6.3 mm                      8KB 990 299-001 1 2000 mm long connecting lead for AMP plug connector                      8HG 990 263-111 1 Mounting bracket for tubular mount on 15 mm - 28 mm dia. pipes</p> <p>2x12V35W (H3) 8GH 002 090-271                      2x12V55W (H3) 8GH 002 090-133                      2x24V70W (H3) 8GH 002 090-251</p>
		<p><b>Oval 100 Xenon Integral</b>  <b>Lens pattern for wide, close-range illumination.</b>                      Recommended angle of inclination: 8° - 15°.                      Reflector made of diecast aluminium, glued with hardened glass lens.                      Black plastic housing with extending edge to protect lens.                      Xenon-electronic unit integrated into housing.                      Without connecting lead (see accessories).                      Pivot base with bracket for four-point fixing made of stainless steel.                      Pivot range vertical 105°.                      Type of protection: IP5K4K.  <b>With gas discharge bulb and DEUTSCH plug connector.</b>  <b>Light aperture: 130 x 75 mm.</b></p> <p><b>Xenon work light with 12V ballast unit and black lens-retaining rim, for upright mounting</b></p> <p><b>1GA 996 261-511</b> 1</p> <p><b>1GA 996 261-521</b> 1 for pendant mounting, pivot base with M10 fixing screw</p> <p><b>Accessories:</b>                      8KB 990 299-221 1 3100 mm long connecting lead with relay, 15A fuse and DEUTSCH plug connector, 12V                      8HG 990 263-111 1 Mounting bracket for tubular mount on 15 mm - 28 mm dia. pipes</p> <p>1x35W (D1S) 8GS 009 028-001</p>

Accessories see page 4.116-4.117





1GA 996 261-531 1

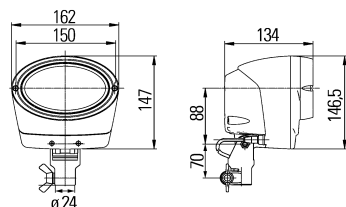
1GA 996 261-691 1



1GA 996 261-561 1

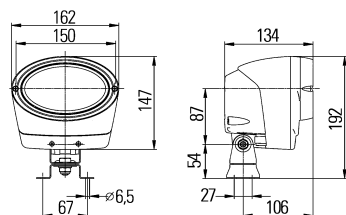
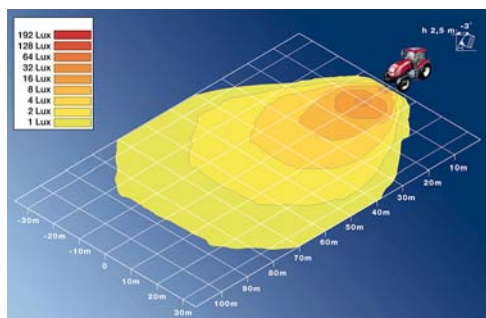


1GA 996 261-571 1



for 1GA 996 261-701

1GA 996 261-701 1



1GA 996 261-581 1



8KB 990 299-221 1

8KB 990 299-231 1

8KB 990 299-121 1

8JD 008 151-011 10

8KW 701 235-033 100

8JS 711 687-821 1

8HG 990 263-111 1

Part no. Pk. External-fitting work lights

**Oval 100 Xenon Integral**

**Lens pattern for bride close-range illumination.**

Recommended angle of inclination: 8° - 15°.  
 Reflector made of diecast aluminium, glued to hardened glass lens.  
 Black plastic housing with extending edge to protect lens.  
 Xenon-electronic unit integrated into housing. Without connecting lead (see accessories).  
 Pivot base with bracket for four-point mounting made of stainless steel.  
 Pivot range vertical 105°.  
 Type of protection: IP5K4K.  
**With gas discharge bulb.**  
**Light aperture: 130 x 75 mm.**

**Xenon work light with DEUTSCH plug connector, 24V ballast unit and red lens-retaining rim, for upright mounting**

**for pendant mounting**

A black lens-retaining rim is enclosed with 1GA 996 261-531/-691.

**For upright mounting**

**With AMP plug connector, 12V ballast unit and red lens-retaining rim, for upright mounting**

**with 24V ballast unit**

**with 24V ballast unit and mounting bush for 24 mm dia. standard pin**

**Lens pattern for wide off-road illumination.**

Recommended angle of inclination: 3° -10°.

**Xenon work light with AMP plug connector and 12V ballast. With red lens-retaining rim, for upright mounting.**

**Accessories:**

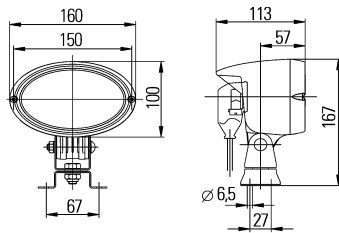
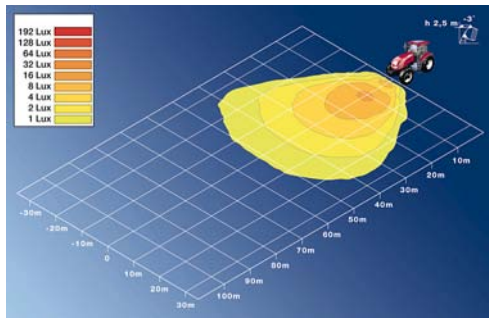
- 3100 mm long connecting lead with relay, 15A fuse and DEUTSCH plug connector with cap, 12V
- 24V
- 3700 mm long connecting lead with relay, 15A fuse and AMP plug connector with cap, 24V
- Socket for AMP plug connector
- Blade receptacles, 6.3 mm
- Blade type fuse, 15A (5 pcs.)
- Mounting bracket for tubular mount on 15 mm - 28 mm dia. pipes



1x35W (D1S) 8GS 009 028-001

# "Oval 100" Light Series

130 x 75 mm



Part no.

Pk.

## External-fitting work lights

### Oval 100 H9 with FF® reflector

#### Lens pattern for wide off-road illumination.

Recommended angle of inclination: 3° - 10°.

Reflector made of diecast aluminium, glued to hardened glass lens.

Black plastic housing with extending edge to protect lens.

Vibration-damped pivot base with bracket for four-point mounting.

Pivot range vertical 105°.

For upright mounting.

With 2000 mm long connecting cable.

Type of protection: IP5K4K.

**With 12V bulb, accessible from the outside.**

**Light aperture: 130 x 75 mm.**

1GA 996 161-391

1

FF®-H9 work light

9XD 990 298-001

5

#### Spare parts:

Bracket for four-point fixing

8KB 990 299-311

1

#### Accessories:

2000 mm long connecting lead, with plug for connecting the H9 bulb

9GH 990 334-011

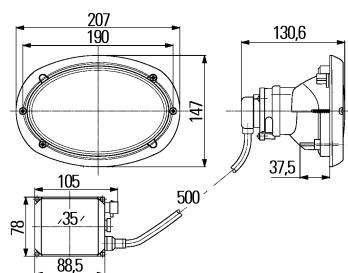
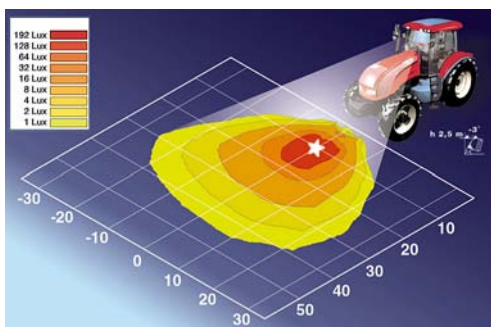
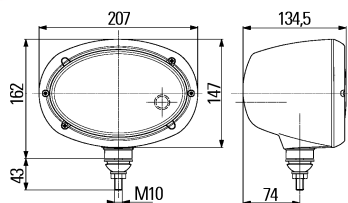
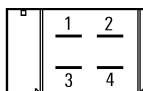
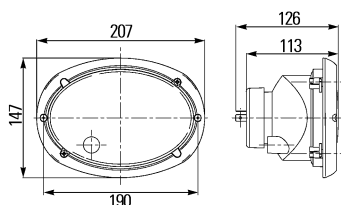
1

Rubber cap for H9 socket



1x12V65W (H9) 8GH 008 375-001

Accessories see page 4.116-4.117.



Part no.

Pk.

**Built-in headlights**

**Oval 120**

**With H4 light.**  
Mounting frame made of plastic, with inclination adjustment 4°. Reflector made of plastic, glued to non-patterned glass lens. With fixing screws M5 x 35 mm.  
**With 12V bulbs and sealing cap.**  
**Light aperture: 161 x 100 mm.**

Ⓔ 1502 SAE/FMVSS 108

1AB 996 157-091

1 H4 headlight with side light

1AB 996 157-081

1 without side light

**External-fitting headlights**

Black plastic body with M12 x 70 fixing screw for upright mounting.

1AB 996 157-151

1 H4 headlight with side light and AMP 4-pole plug connector

1AB 996 157-131

1 without side light, with grommet

1x12V60/55W (H4) 8GJ 002 525-131  
 1x24V75/70W (H4) 8GJ 002 525-251

1x12V4W (T4W) 8GP 002 067-121  
 1x24V4W (T4W) 8GP 002 067-241

**Built-in work light**

**Oval 120 Xenon**

**Lens pattern for off-road illumination.**  
Recommended angle of inclination: 3° - 10°. Lens with plastic reflector bonded. Black plastic mounting frame with inclination adjustment 4°. With two 50 x 35 mm fixing screws. Work light permanently connected to ballast unit by a 500 mm long lead. Type of protection: IP5K4K.

**With gas discharge bulb.**  
**Light aperture: 161 x 100 mm.**

1GB 996 158-081


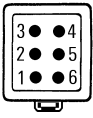
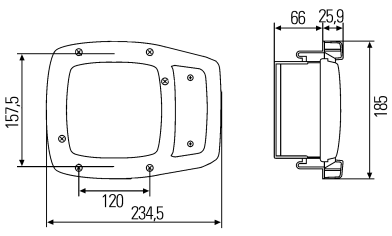




1 Xenon work light with 12V ballast unit

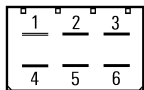
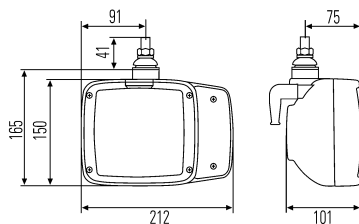
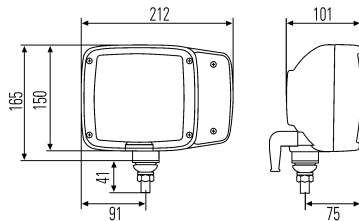
1x35W (D2S) 8GS 007 949-101

# "Module 120" Light Series

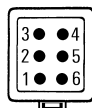
120 x 120 mm



	Part no.	Pk.	Built-in headlights
  			<p><b>Module 120</b>  <b>With H7 dipped-beam light, H3 driving-beam light and side light. With attached amber indicator light.</b>                      Black rubber housing for sealing installation opening.                      Black lens-retaining rim with extending edge to protect lens.                      Splash-proof in accordance with IPX9K.  <b>With grommet.</b>  <b>Light aperture: 120 x 120 mm.</b></p> <p>Ⓔ 9471 Headlight                      Ⓔ 6495 Indicator light</p>
	1EA 996 074-051	1	<b>H7/H3 headlight, left</b>
	1EA 996 074-061	1	<b>right</b>
	1EA 996 074-177	30	<b>With black rubber body, 24V bulbs and DEUTSCH 6-pole plug connector, left</b>
	1EA 996 074-187	30	<b>right</b>
	9EL 990 186-001 8KB 990 299-057	4 1	<p><b>Spare parts:</b>                      Lens for indicator light                      2000 mm long connecting lead with DEUTSCH 6-pole plug connector</p> <p> 1x12V55W (H7) 8GH 007 157-121                      1x24V70W (H7) 8GH 007 157-241</p> <p> 1x12V55W (H3) 8GH 002 090-133                      1x24V70W (H3) 8GH 002 090-251</p> <p> 1x12V4W (T4W) 8GP 002 067-121                      1x24V4W (T4W) 8GP 002 067-241</p> <p> 1x12V21W (P21W) 8GA 002 073-121                      1x24V21W (P21W) 8GA 002 073-241</p>



AMP plug connector

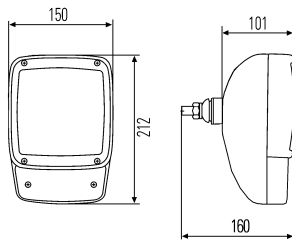
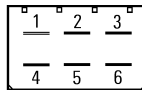


DEUTSCH plug connector

Part no.	Pk.	External-fitting headlights
		<b>Module 120</b> With H7 dipped-beam light, H3 driving-beam light and side light. With attached indicator light. Indicator light with one amber lens each toward front and rear. Lens with plastic reflector bonded. Black housing. Black lens-retaining rim with extending edge to protect lens. Universal bracket with M12 fixing screw. Splash-proof in accordance with IPX9K. <b>Light aperture: 120 x 120 mm.</b>
		Ⓔ 9471 Headlight
		Ⓔ 6495 Indicator light front
		Ⓔ 6505 Indicator light rear
		<b>H7/H3 headlight</b> with AMP 6-pole plug connector and 12V bulbs, left
1EA 993 975-011	1	
1EA 993 975-017	40	
1EA 993 975-021	1	right
1EA 993 975-027	40	
		with 24V bulbs, left
1EA 993 975-051	1	
1EA 993 975-057	40	
1EA 993 975-061	1	right
1EA 993 975-067	40	
		with DEUTSCH 6-pole plug connector and 12V bulbs, left
1EA 993 975-091	1	
1EA 993 975-097	20	
1EA 993 975-101	1	right
1EA 993 975-107	20	
		<b>For pendant mounting.</b> With AMP 6-pole plug connector and 24V bulbs, left
1EA 993 975-337	40	
1EA 993 975-347	40	right
		<b>Spare parts:</b>
1EA 990 185-021	1	Light unit
9EL 990 186-001	4	Lens for indicator light, front
9EL 990 186-101	4	rear
		<b>Accessories:</b>
8JD 008 151-051	10	Socket for AMP plug connector, 6-pole
9GH 993 988-007	1	Rubber cap for AMP plug connector
8KW 701 235-033	100	Blade receptacles, 6.3 mm
9GH 990 316-031	20	Rubber cap for DEUTSCH plug connector
		1x12V55W (H7) 8GH 007 157-121
		1x24V70W (H7) 8GH 007 157-241
		1x12V55W (H3) 8GH 002 090-133
		1x24V70W (H3) 8GH 002 090-251
		1x12V4W (T4W) 8GP 002 067-121
		1x24V4W (T4W) 8GP 002 067-241
		1x12V21W (P21W) 8GA 002 073-121
		1x24V21W (P21W) 8GA 002 073-241

# "Module 120" Light Series

120 x 120 mm



Part no.

Pk.

## External-fitting headlights

### Module 120

With H7 dipped-beam light,  
H3 driving-beam light and side light.  
With attached amber indicator light.  
Indicator light with one amber lens each  
toward front and rear.

Lens with plastic reflector bonded.  
Black housing. Black lens-retaining rim with  
extending edge to protect lens.

Universal bracket with M12 fixing screw  
for centre-mounting.

Splash-proof in accordance with IPX9K.

With 12V bulbs.

Light aperture: 120 x 120 mm.

9471 Headlight

6495 Indicator light front

6505 Indicator light rear

1EA 996 081-171  
1EA 996 081-177

1  
24

**H7/H3 headlight  
with AMP 6-pole plug connector**

1EA 990 185-021

1

### Spare parts:

Light unit

9EL 990 186-001

4

Lens for indicator light,

9EL 990 186-101

4

rear

8JD 008 151-051  
9GH 993 988-007  
8KW 701 235-033

10  
1  
100

### Accessories:

6-pole socket for AMP plug connector

Rubber cap for AMP plug connector

Blade receptacles, 6.3 mm



1x12V55W (H7) 8GH 007 157-121  
1x24V70W (H7) 8GH 007 157-241



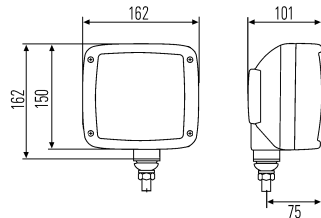
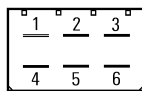
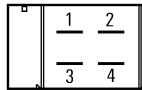
1x12V55W (H3) 8GH 002 090-133  
1x24V70W (H3) 8GH 002 090-251



1x12V4W (T4W) 8GP 002 067-121  
1x24V4W (T4W) 8GP 002 067-241



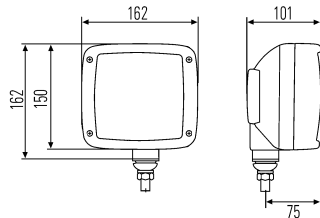
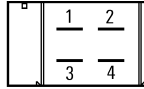
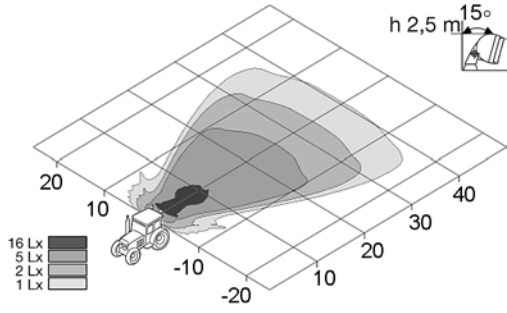
1x12V21W (P21W) 8GA 002 073-121  
1x24V21W (P21W) 8GA 002 073-241



Part no.	Pk.	External-fitting headlights
		<b>Module 120</b> With H7 dipped-beam light, H3 driving-beam light and side light. Lens with plastic reflector bonded. Black housing. Black lens-retaining rim with extending edge to protect lens. Universal bracket with M12 fixing screws. Splash-proof in accordance with IPX9K. <b>Light aperture: 120 x 120 mm.</b>
		9471
1EA 996 127-001	1	<b>H7/H3 headlight</b>
1EA 996 127-007	54	with AMP 4-pole plug connector and 12V bulbs
1EA 996 127-051	1	with AMP 4-pole plug connector and 24V bulbs
1EA 996 127-077	54	With AMP 6-pole plug connector, sealing cap and 24V bulbs. Universal bracket with M12 fixing screw. For pendant mounting.
1EA 990 185-021	1	<b>Spare parts:</b> Light unit
8JD 008 151-041	10	<b>Accessories:</b> Socket for AMP plug connector, 4-pole
8JD 008 151-051	10	6-pole
9GH 993 988-007	1	Rubber cap for AMP plug connector
8KW 701 235-033	100	Blade receptacles, 6,3 mm
		1x12V55W (H7) 8GH 007 157-121 1x24V70W (H7) 8GH 007 157-241
		1x12V55W (H3) 8GH 002 090-133 1x24V70W (H3) 8GH 002 090-251
		1x12V4W (T4W) 8GP 002 067-121 1x24V4W (T4W) 8GP 002 067-241

# "Module 120" Light Series

120 x 120 mm



Part no.

Pk.

**External-fitting work lights**

**Module 120 with FF® reflector**  
**Lens pattern for close-range illumination.**

Recommended angle of inclination: 20°.  
 Lens with plastic reflector bonded.  
 Black plastic housing and lens-retaining rim  
 with extending edge to protect lens.  
 Universal bracket with M12 fixing screw.  
 For upright mounting.  
 Type of protection: IPX9K.

**With AMP 4-pole plug connector.**  
**Light aperture: 120 x 120 mm.**

**1GA 996 140-021**

1

**FF®-H3 work light**

**8JD 008 151-041**  
**9GH 993 988-007**  
**8KW 701 235-033**

10  
 1  
 100

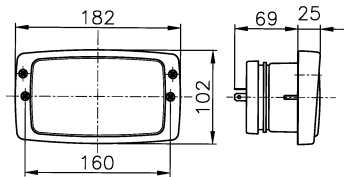
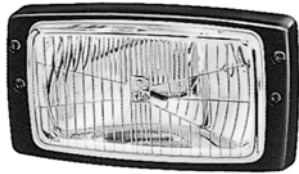
**Accessories:**

4-pole socket for AMP plug connector  
 Rubber cap for AMP plug connector  
 Blade receptacles, 6.3 mm



1x12V35W (H3) 8GH 002 090-271  
 1x12V55W (H3) 8GH 002 090-133



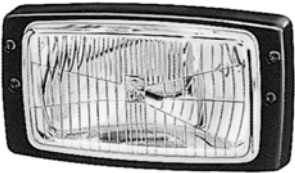



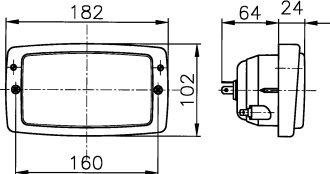





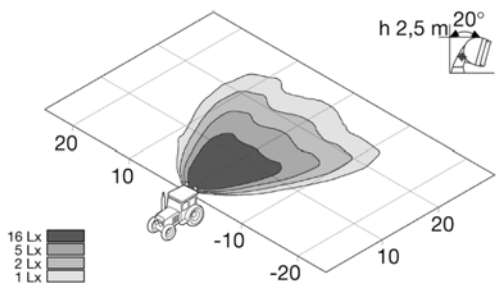
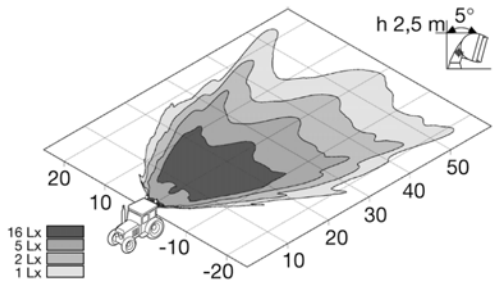
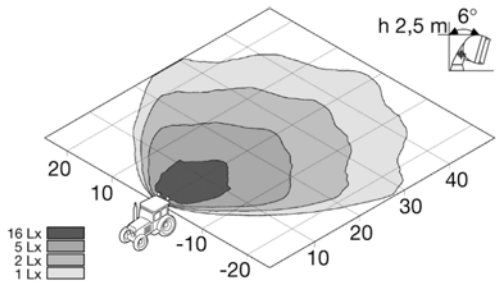
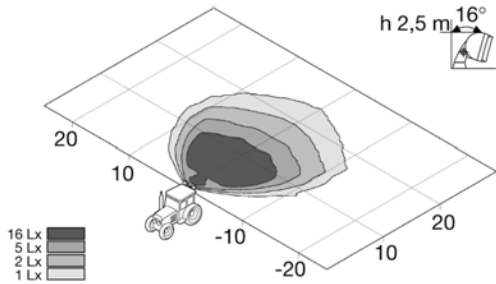
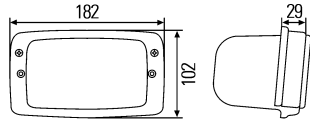
Part no.	Pk.	Built-in headlights
		<b>Module 6213</b> <b>With H4 light, sheet metal reflector and cap.</b> Lens with metall reflector bonded. Black plastic supporting frame. For horizontal mounting. Mounting area: 148 x 88 mm. Inclination (6° up and downwards) can be adjusted. Type of protection: IP5K4K. <b>Light aperture: 148 x 84 mm.</b>
		(E1) 44439
1AB 006 213-001	1	<b>H4 headlight without side light, 12V</b>
1AB 006 213-011	1	<b>with side light, 12V</b>
1AB 006 213-027	1	<b>with side light and hardened lens, 12V/24V</b>
		<b>Spare parts:</b> 9GH 116 966-011 10 Rubber cap
		<b>Accessories:</b> 9BG 993 345-001 1 Rubber housing for sealing installation opening 9HD 990 040-001 10 Cover, black, 182 x 102 mm
		<b>For all versions:</b> Black plastic housing with mounting bracket for use lights as external-fitting lights,
9BG 990 178-011	1	with grommet
9BG 990 178-031	1	with AMP plug connector
8JD 008 151-041	10	4-pole socket for AMP plug connector
8KW 701 235-033	100	Blade receptacles, 6.3 mm
9XD 990 298-001	5	Bracket for four-point mounting
		1x12V60/55W (H4) 8GJ 002 525-131 1x24V75/70W (H4) 8GJ 002 525-251
		1x12V4W (T4W) 8GP 002 067-121 1x24V4W (T4W) 8GP 002 067-241

# "Module 6213" Light Series

148 x 84 mm



	Part no.	Pk.	Built-in headlights
	<p><b>1AD 996 018-001</b></p>	<p>1</p>	<p><b>Module 6213</b>  <b>With normal light and black plastic cap.</b>                      Black plastic supporting frame.                      Lens with plastic reflector bonded.                      Inclination (6° up and downwards) can be adjusted.                      Mounting area: 148 x 88 mm.                      Type of protection: IP5K4K.  <b>Light aperture: 148 x 84 mm.</b></p> <p> 1009</p> <p><b>Headlight with side light</b></p> <p> 1x12V45/40W (R2) 8GD 002 088-131</p> <p> 1x12V4W (T4W) 8GP 002 067-121</p>
	<p><b>1AD 996 018-641</b>  <b>1AD 996 018-651</b></p>	<p>1 1</p>	<p><b>With H4 light and red plastic cap.</b></p> <p> 20004</p> <p><b>H4 headlight with side light</b></p> <p><b>without side light</b></p>
	<p>9HD 990 044-001</p>	<p>2</p>	<p><b>Spare parts:</b>                      Plastic cap, red</p>
	<p>9BG 993 345-001</p>	<p>1</p>	<p><b>Accessories:</b>                      Rubber housing for sealing installation opening</p>
	<p>9HD 990 040-001</p>	<p>10</p>	<p>Cover, black, 182 x 102 mm</p>
	<p>9BG 990 178-011                      9BG 990 178-031</p>	<p>1 1</p>	<p><b>For all versions:</b>                      Black plastic housing with mounting bracket for use lights as external-fitting lights, with grommet</p>
	<p>8JD 008 151-041</p>	<p>10</p>	<p>with AMP plug connector</p>
	<p>8KW 701 235-033</p>	<p>100</p>	<p>4-pole socket for AMP plug connector</p>
	<p>9XD 990 298-001</p>	<p>5</p>	<p>Blade receptacles, 6.3 mm</p> <p>Bracket for four-point mounting</p>
			<p> 1x12V60/55W (H4) 8GJ 002 525-131                      1x24V75/70W (H4) 8GJ 002 525-251</p>
			<p> 1x12V4W (T4W) 8GP 002 067-121                      1x24V4W (T4W) 8GP 002 067-241</p>



Part no.

Pk.

**Built-in work lights**

**Module 6213  
Double Beam with FF® reflector**

**With lens pattern for object illumination for vertical surfaces.**

For horizontal flush-mounting.  
Double reflector made of diecast aluminium, glued to glass lens.  
Black plastic body and supporting frame, with pan-head tapping screws made of stainless steel 4.2 x 45 mm.  
Inclination (6° up and downwards) can be adjusted.  
Mounting area: 148 x 88 mm.  
With 250 mm long connecting lead.  
Type of protection: IP5K4K.

**With grommet.  
Light aperture: 148 x 84 mm.**

For front or rear flush mounting in vehicle roof.  
Recommended angle of inclination: 15° - 35°.

**FF®-H3 work light  
without bulbs**

1GB 996 080-001

1

**Lens pattern for ground illumination.**

For front or rear flush mounting in vehicle roof.  
Recommended angle of inclination: 5° - 15°.

**With 2 bulbs 12V55W**

1GB 996 080-011

1

**Lens pattern for off-road illumination.**

For front flush mounting in vehicle roof.  
Light falling on the engine of the bonnet reduced to a minimum in order to avoid dazzling off the driver.  
Recommended angle of inclination: 2° - 10°.

**Without bulbs**

1GB 996 080-021

1

**Lens pattern for close-range illumination.**

For front flush mounting in vehicle roof.  
Recommended angle of inclination: 20° - 30°.

**Without bulbs**

1GB 996 080-031

1

**Accessories:**

Rubber housing for sealing installation opening  
Cover, black, 182 x 102 mm

9BG 993 345-001

1

9HD 990 040-001

10

**For all versions:**

Black plastic housing with mounting bracket for use lights as external-fitting work lights without handle, with grommet  
4-pole socket for AMP plug connector  
Blade receptacles, 6.3 mm  
Bracket for four-point mounting

9BG 990 178-011

1

8JD 008 151-041

10

8KW 701 235-033

100

9XD 990 298-001

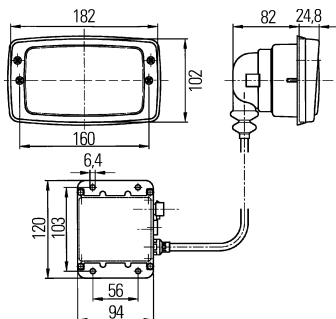
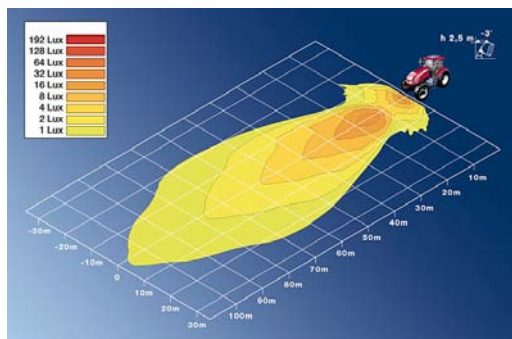
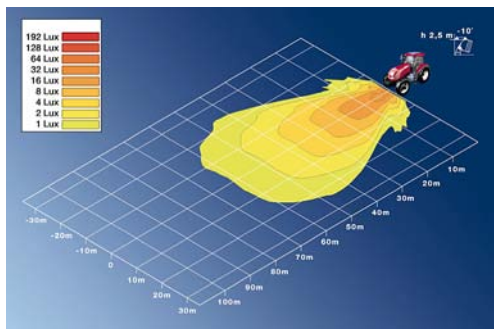
5

2x12V35W (H3) 8GH 002 090-271  
2x12V55W (H3) 8GH 002 090-133  
2x24V70W (H3) 8GH 002 090-251



# "Module 6213" Light Series

148 x 84 mm



Part no.

Pk.

## Built-in work lights

### Module 6213 Xenon

#### Lens pattern for close-range illumination.

Recommended angle of inclination: 10° - 20°.

Lens with plastic reflector bonded.

With pan-head tapping screws made of stainless steel 4.2 x 45 mm.

Inclination (6° up and downwards) can be adjusted.

Rubber housing for sealing installation opening 148 x 88 mm.

The ballast unit is firmly connected to work light by a 300 mm long lead.

With 3700 mm long connection lead, relay and 15A fuse.

Type of protection: IP5K4K.

**With gas discharge bulb.**

**Light aperture: 148 x 84 mm.**

1GB 996 147-011

1

#### Xenon-work light

with 12V ballast unit and red supporting frame



1x35W (D2S) 8GS 007 949-101

#### Lens pattern for long-range illumination.

1GB 996 147-011

1

#### Xenon-work light

with 12V ballast unit and black supporting frame, without connection lead

9BG 990 297-001

1

#### Spare parts:

Housing for ballast unit 12V

8JS 711 687-821

1

Blade-type fuse, 15A (5 pcs.)

9HD 990 040-001

10

#### Accessories:

Cover, black, 182 x 102 mm

8KB 149 147-001

1

3000 mm long connection lead from ballast unit to battery, with relay and fuse, 12V




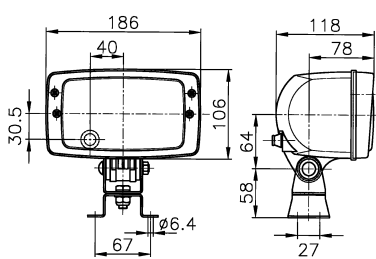




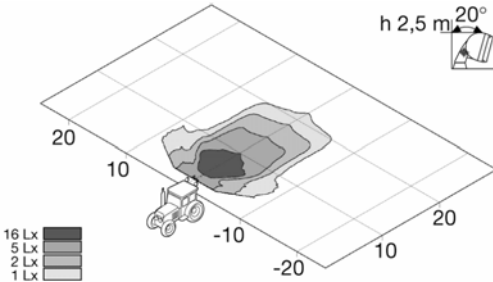
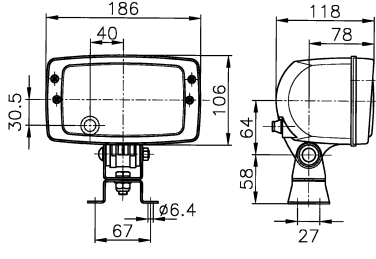

1x35W (D2S) 8GS 007 949-101


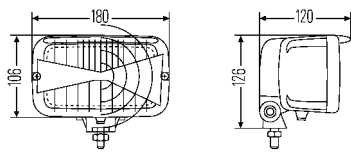
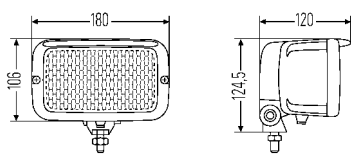
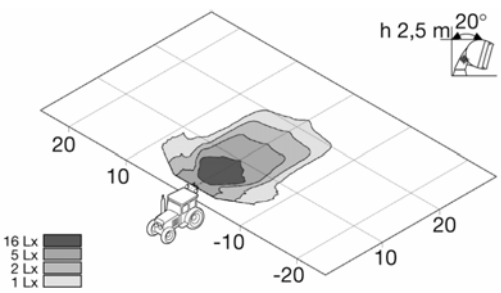



	Part no.	Pk.	Built-in work lights
	<p><b>1GB 006 213-101</b> <b>1GB 006 213-107</b></p>	<p>1 30</p>	<p><b>Module 6213 with FF® reflector</b> <b>Lens pattern for far-reaching illumination.</b> Recommended angle of inclination: 10° - 20°. Lens with metal reflector bonded. Black plastic supporting frame with pan-head tapping screws made of stainless steel 4.2 x 45 mm. Inclination (6° up and downwards) can be adjusted. Mounting area: 148 x 88 mm. Type of protection: IP5K4K. <b>Light aperture: 148 x 84 mm.</b></p> <p><b>H3 work light with cap</b></p>
	<p><b>1GB 006 213-111</b> <b>1GB 006 213-117</b></p> <p><b>1GD 996 018-541</b></p> <p><b>9BG 993 345-001</b> <b>9BG 990 042-061</b> <b>9HD 990 040-001</b></p> <p><b>9BG 990 178-011</b></p> <p><b>8JD 008 151-041</b> <b>8KW 701 235-033</b> <b>9XD 990 298-001</b></p>	<p>1 30</p> <p>1</p> <p>1 1 10</p> <p>1 10 100 5</p>	<p><b>Lens pattern for close-range illumination.</b></p> <p><b>H3 work light with cap</b></p> <p><b>Lens with plastic reflector bonded, with cap, only for 12V</b></p> <p><b>Accessories:</b> Rubber housing for sealing installation opening for -101/-107/-111/-117/-147 for -541 Blind cover, black, 182 x 102 mm</p> <p><b>For all versions:</b> Black plastic housing with mounting bracket for use lights as external-fitting work lights without handle, with grommet 4-pole socket for AMP plug connector Blade receptacles, 6.3 mm Bracket for four-point fixing</p>
			<p>1x12V35W (H3) 8GH 002 090-271 1x12V55W (H3) 8GH 002 090-133 1x24V70W (H3) 8GH 002 090-251</p>

# "Module 6213" Light Series

148 x 84 mm



	Part no.	Pk.	External-fitting headlight
 	<p><b>1AB 996 213-001</b></p> <p>1AB 006 213-011 9XD 990 298-001</p>	<p><b>External-fitting headlight</b></p> <p><b>Module 6213</b>  <b>With H4 light and side light.</b>            Lens with metal reflector bonded.            Black plastic housing and lens-retaining rim.            Pivot base with bracket for four-point mounting.            For upright or pendant mounting.  <b>With grommet.</b>  <b>Light aperture: 148 x 84 mm.</b></p> <p> 44439</p> <p><b>H4 headlight</b></p> <p><b>Spare parts:</b>            1 Light unit with lens-retaining rim            5 Bracket for four-point mounting</p> <p> 1x12V60/55W (H4) 8GJ 002 525-131            1x24V75/70W (H4) 8GJ 002 525-251</p> <p> 1x12V4W (T4W) 8GP 002 067-121            1x24V4W (T4W) 8GP 002 067-241</p>	
  	<p><b>1GB 996 213-511</b></p> <p>1GB 006 213-111 9XD 990 298-001</p>	<p><b>External-fitting work light</b></p> <p><b>Module 6213</b>  <b>Lens pattern for close-range illumination.</b>            Recommended angle of inclination: 10° - 20°.            Lens with metal reflector bonded.            Black plastic housing and lens-retaining rim.            Pivot base with bracket for four-point mounting.            For upright or pendant mounting.            Type of protection: IP5K4K.  <b>With grommet and vibration damping.</b>  <b>Light aperture: 148 x 84 mm.</b></p> <p><b>H3 work light</b></p> <p><b>Spare parts:</b>            1 Light unit with lens-retaining rim            5 Bracket for four-point mounting</p> <p> 1x12V35W (H3) 8GH 002 090-271            1x12V55W (H3) 8GH 002 090-133            1x24V70W (H3) 8GH 002 090-251</p>	

   	<p><b>Part no.</b></p> <p><b>1AB 007 145-001</b> <b>1AB 007 145-007</b></p> <p><b>1GB 007 145-101</b> <b>1GB 007 145-107</b></p>	<p><b>Pk.</b></p> <p><b>External-fitting headlight</b></p> <p><b>7145</b> <b>With H4 main light and side light.</b> Lens with metal reflector bonded. Black plastic housing and lens-retaining rim. Pivot base with M10 fixing screw. For upright or pendant mounting. <b>Light aperture: 148 x 84 mm.</b></p> <p>(E1) 44439</p> <p><b>H4 headlight</b></p> <p> 1x12V60/55W (H4) 8GJ 002 525-131</p> <p> 1x12V4W (T4W) 8GP 002 067-121</p> <hr/> <p><b>External-fitting work light</b></p> <p><b>7145</b> <b>Lens pattern for wide close-range illumination.</b> Recommended angle of inclination: 10° - 20°. Lens with metal reflector bonded. Black plastic housing and lens-retaining rim. Pivot base with M10 fixing screw for upright or pendant mounting. <b>Light aperture: 148 x 84 mm.</b></p> <p><b>H3 work light</b></p> <p> 1x12V35W (H3) 8GH 002 090-271 1x12V55W (H3) 8GH 002 090-133 1x24V70W (H3) 8GH 002 090-251</p>
--	--	---

Accessories see page 4.116-4.117.

# Work Lights

136 x 88 mm



	Part no.	Pk.	External-fitting work lights
	<p><b>1GA 006 991-021</b></p>	1	<p><b>Double-Beam with FF®-reflector</b>  <b>Lens pattern for intensive close-range illumination.</b>                      Recommended angle of inclination: 25° - 35°.                      Double reflector made of diecast aluminium, glued to glass lens.                      Black plastic housing with extending edge to protect lens.                      With 250 mm long silicone connection lead.                      Pivot base with bracket for four-point mounting.                      For upright or pendant mounting.                      Height of mounting bracket: 22 mm.                      Without vibration damping.                      Type of protection: IP5K4K.  <b>With grommet.</b>  <b>Light aperture: 136 x 88 mm.</b></p>
	<p><b>1GA 006 991-091</b></p>	1	<p><b>FF®-H3 work light with handle</b></p>
	<p><b>1GA 998 524-001</b> <b>9XD 990 298-001</b></p>	1 5	<p><b>Spare parts:</b>                      Light unit                      Bracket for four-point mounting</p>
	<p><b>1GA 006 991-061</b> <b>1GA 006 991-051</b></p>	1 1	<p><b>Lens pattern for far-reaching off-road illumination.</b>                      Recommended angle of inclination: 5° - 15°.                      Type of protection: IP5K4K.</p> <p><b>FF®-H3 work light with handle</b> <b>without handle</b></p> <p><b>Spare parts:</b>                      Bracket for four-point mounting</p>
	<p><b>1GA 006 991-031</b> <b>1GA 006 991-041</b></p>	1 1	<p><b>Lens pattern for large-area, uniform close-range illumination.</b>                      Recommended angle of inclination: 15° - 25°.                      Type of protection: IP5K4K.</p> <p><b>FF®-H3 work light with handle</b> <b>without handle</b></p> <p><b>Spare parts:</b>                      Light unit                      Bracket for four-point mounting</p>
	<p><b>1GA 998 524-011</b> <b>9XD 990 298-001</b></p>	1 5	<p><b>Spare parts:</b>                      Light unit                      Bracket for four-point mounting</p> <p>                      2x12V35W (H3) 8GH 002 090-271                      2x12V55W (H3) 8GH 002 090-133                      2x24V70W (H3) 8GH 002 090-251                 </p>

Accessories see page 4.117



	<p><b>Part no.</b></p> <p><b>1GA 006 991-081</b></p> <p><b>1GA 006 991-071</b></p> <p><b>9XD 990 298-001</b></p>	<p><b>Pk.</b></p> <p><b>External-fitting work lights</b></p> <p><b>Double-Beam with FF®-reflector</b>  <b>Lens pattern for object illumination for vertically surfaces.</b>          Recommended angle of inclination:          for vertically surfaces 0° - 5°,          for horizontally surfaces 25° - 45°.          Double reflector made of diecast aluminium, glued to glass lens.          Black plastic housing with extending edge to protect lens.          With 250 mm long silicone connection lead.          Pivot base with bracket for four-point mounting.          For mounting upright or pendant.          Without vibration damping.          Type of protection: IP5K4K.  <b>With grommet.</b>  <b>Light aperture: 136 x 88 mm.</b></p> <p><b>FF®-H3 work light with handle</b></p> <p><b>without handle</b></p> <p><b>Spare parts:</b>          Bracket for four-point mounting</p> <p>2x12V35W (H3) 8GH 002 090-271          2x12V55W (H3) 8GH 002 090-133          2x24V70W (H3) 8GH 002 090-251</p>
--	--	--

Accessories see page 4.117.

# Work Lights

135 x 75 mm



	Part no.	Pk.	External-fitting work lights
	<p><b>1GA 005 060-001</b></p> <p>1GA 132 459-011 9AG 132 453-005</p>	<p>1</p>	<p><b>Master 5060</b>  <b>Lens pattern for far-reaching illumination.</b>                      Recommended angle of inclination: 15° - 20°.                      Lens with metal reflector bonded.                      Black plastic housing.                      Pivot base with M10 fixing screw for upright or pendant mounting.                      Without vibration damping.                      Type of protection: IP5K4K.  <b>Light aperture: 135 x 75 mm.</b></p> <p><b>H3 work light with pivot base for external-fitting</b></p> <p><b>Spare parts:</b>                      Light unit                      Lens-retaining rim</p>
	<p><b>1GA 005 060-041</b></p>	<p>1</p>	<p><b>Lens pattern for close-range illumination.</b>                      Recommended angle of inclination: 20° - 25°.</p> <p><b>H3 work light with pivot base for external-fitting</b></p>
	<p><b>1GA 005 060-337</b></p> <p>9AG 132 453-005</p>	<p>30</p> <p>5</p>	<p><b>Built-in work light</b></p> <p><b>Sealed housing</b>                      With 2 fixing screws 3.5 x 25 mm and 12V55W bulb.                      Mounting area: 152 x 92 mm.</p> <p><b>H3 work light</b></p> <p><b>Spare parts:</b>                      Lens-retaining rim</p> <p>1x12V35W (H3) 8GH 002 090-271                      1x12V55W (H3) 8GH 002 090-133                      1x24V70W (H3) 8GH 002 090-251</p>

Accessories see page 4.117

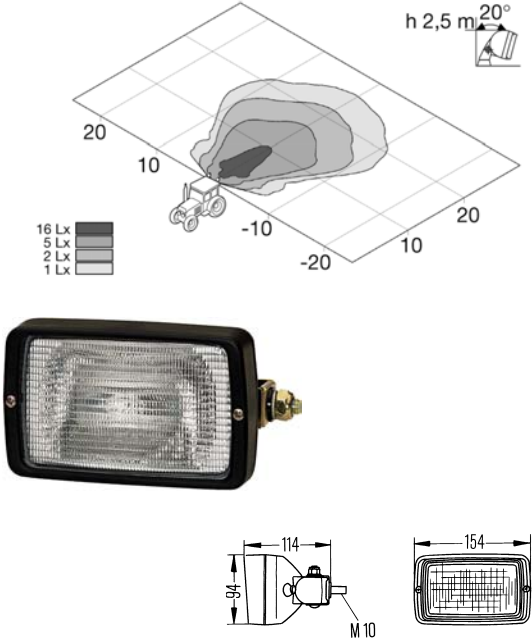
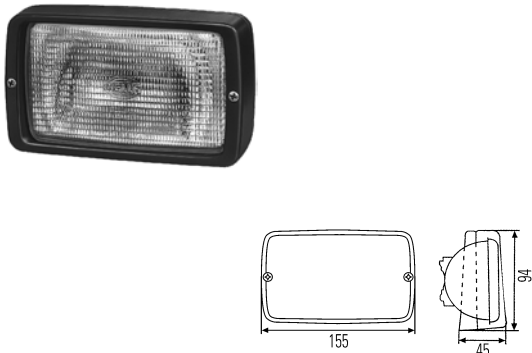
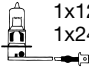
	Part no.	Pk. External-fitting work lights
	1GA 006 876-001	<p><b>Picador 6876 with FF® reflector</b>  <b>Lens pattern for ground illumination.</b>            Recommended angle of inclination: 20° - 25°.            Lens with plastic reflector bonded.            Black plastic housing and lens-retaining rim.            Lens-retaining rim with extending edge to protect lens.            Universal bracket with M10 fixing screw for upright or pendant mounting.            Pivot range: horizontal 130°, vertical 90°.            Type of protection: IP5K4K.  <b>With grommet.</b>  <b>Light aperture: 125 x 75 mm.</b></p>
	1GA 998 522-011	<p><b>Picador 8522 with FF® reflector</b>            Recommended angle of inclination: 20° - 25°.            Universal bracket with M10 fixing screw for upright or pendant mounting.            Pivot range: horizontal 130°.</p> <p><b>FF®-H3 work light with rotary pivot base</b></p> <p><b>FF®-H3 work light with pivot base and M10 fixing screw</b></p>
	<p>1GB 996 102-011</p> <p>8HG 990 263-111</p> <p>8HG 004 806-001</p> <p>9XD 130 261-001</p>	<p><b>With FF® reflector</b>  <b>Lens pattern for far-reaching illumination.</b>            Recommended angle of inclination: 15° - 20°.            Universal bracket with M10 fixing screw for upright or pendant mounting.            Pivot range: horizontal 130°.</p> <p><b>FF®-H3 work light with pivot base and M10 fixing screw</b></p> <p><b>Accessories:</b></p> <ul style="list-style-type: none"> <li>1 Mounting bracket for tubular mount on 15 - 28 mm dia. pipes</li> <li>1 Magnetic base</li> <li>1 U-bracket</li> </ul> <p>1x12V35W (H3) 8GH 002 090-271            1x12V55W (H3) 8GH 002 090-133            1x24V70W (H3) 8GH 002 090-251</p>

Accessories see page 4.116-4.117

# Work Lights

125 x 75 mm



Part no.	Pk.	External-fitting work light
	<p>1GA 006 875-001</p>	<p><b>Picador 6875 with FF® reflector</b>  <b>Lens pattern for ground illumination.</b>  Recommended angle of inclination: 20° - 25°.  Lens with plastic reflector bonded.  Black plastic housing and lens-retaining rim.  Lens-retaining rim with extending edge to protect lens.  Universal side bracket with M10 mounting screw for attachment to vertical surfaces.  Pivot range: horizontal 150°, vertical 90°.  Type of protection: IP5K4K.  <b>With grommet.</b>  <b>Light aperture: 125 x 75 mm.</b></p>
	<p>1GA 996 082-001</p>	<p><b>Built-in work light</b>  <b>Picador 6082 with FF® reflector</b>  <b>Lens pattern for ground illumination.</b>  Recommended angle of inclination: 20° - 25°.  Lens with plastic reflector bonded.  Black plastic housing and lens-retaining rim.  Lens-retaining rim with extending edge to protect lens.  With two 3.9 x 55 mm fixing screws.  Distance between screws: 142 mm.  Foam rubber seal for sealing dust and water-tight to outside on even attachment surfaces.  Front inclination 5.2°, mounting aperture: 130 x 76 mm.  Type of protection: IP5K4K.  <b>Light aperture: 125 x 75 mm.</b></p> <p><b>FF®-H3 work light</b></p> <p>1x12V35W (H3) 8GH 002 090-271  1x12V55W (H3) 8GH 002 090-133  1x24V70W (H3) 8GH 002 090-251</p> 

Accessories see page 4.116-4.117

Part no.	Pk.	External-fitting work lights
	<p><b>1GD 005 700-501</b> 1</p> <p><b>1GD 137 355-011</b> 1</p>	<p><b>Torero 5700</b>  <b>Lens pattern for close-range illumination.</b>            Recommended angle of inclination: 15° - 25°.            Lens with steel reflector bonded.            Black plastic housing.            Pivot base with M10 fixing screw.            For upright or pendant mounting.            Without vibration damping.            Type of protection: IP5K4K.  <b>Light aperture: 195 x 96 mm.</b></p> <p><b>H3 work lights</b></p> <p><b>Spare parts:</b>            Light unit</p> <p>  1x12V35W (H3) 8GH 002 090-271   1x12V55W (H3) 8GH 002 090-133   1x24V70W (H3) 8GH 002 090-251         </p>
	<p><b>1GA 996 179-021</b> 1</p> <p><b>1GA 996 179-001</b> 1</p>	<p><b>ECO 21</b>  <b>Lens pattern for close-range illumination</b>            Lens with plastic reflector bonded.            Black plastic housing.            Pivot base with M10 fixing screw.            With bulb, gasket and 200 mm connection lead.            Bulb accessible from the outside.            Type of protection: IP5K9K.  <b>Light aperture: 88 x 88 mm.</b></p> <p><b>Work light,</b>  <b>12V</b></p> <p><b>24V</b></p> <p>  1x12V21W (P21W) 8GA 002 073-121   1x24V21W (P21W) 8GA 002 073-241         </p>
	<p><b>1GA 996 020-001</b> 1</p>	<p><b>Built-in work light</b>  <b>For installation on side next to headlight.</b>            For illumination to front and side.            Four 3.9 x 13 fixing screws.  <b>With 12V55W bulb.</b></p> <p><b>H3 work light</b></p> <p>  1x12V35W (H3) 8GH 002 090-271   1x12V55W (H3) 8GH 002 090-133         </p>

Accessories see page 4.116-4.117

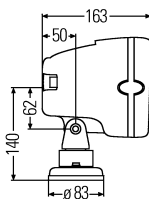
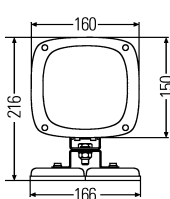
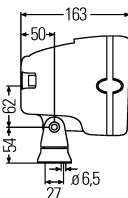
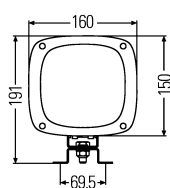
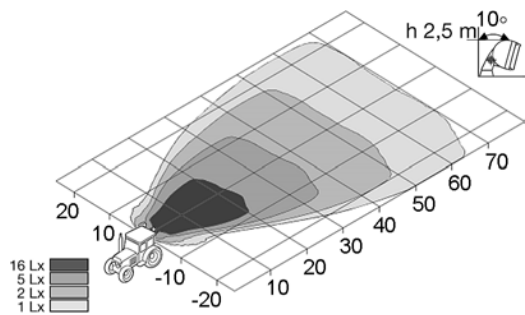
# Work Lights

123 x 123 mm



	Part no.	Pk.	External-fitting work lights
	<p><b>1GA 998 532-011</b></p> <p>1GA 990 183-001</p>	<p>1</p> <p>1</p>	<p><b>AS 200 with FF® reflector</b>  <b>Lens pattern for close-range illumination.</b>                      Recommended angle of inclination: 15° - 25°.                      Black plastic housing with extending edge to protect lens.                      Pivot base with vibration damping and bracket for four-point mounting.                      For upright, pendant or side mounting.                      Side possible with square reflector insert.                      Type of protection: IP5K4K.  <b>With AMP plug connector and cap.</b>  <b>Light aperture: 123 x 123 mm.</b></p> <p><b>FF®-H3 work light</b></p> <p><b>Spare parts:</b>                      Light unit</p>
	<p><b>1GA 998 532-081</b></p> <p><b>8KB 990 299-001</b></p> <p><b>8JD 008 151-011</b></p> <p><b>8KW 701 235-033</b></p> <p><b>9GH 993 984-001</b></p> <p><b>8HG 990 263-111</b></p>	<p>1</p> <p>1</p> <p>10</p> <p>100</p> <p>20</p> <p>1</p>	<p><b>Lens pattern for long-range illumination.</b>                      Recommended angle of inclination: 5°.</p> <p><b>FF®-H3 work light</b></p> <p><b>Accessories:</b>                      2000 mm long, 2-pole connecting lead for AMP plug connector                      2-pole socket for AMP plug connector                      Blade receptacles, 6.3 mm                      Rubber cap for AMP plug connector                      Mounting bracket for tubular mount on 15 - 28 mm dia. pipes</p> <p>1x12V35W (H3) 8GH 002 090-271                      1x12V55W (H3) 8GH 002 090-133                      1x24V70W (H3) 8GH 002 090-251</p>

Accessories see page 4.116-4.117



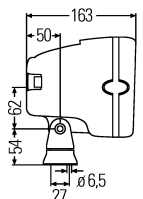
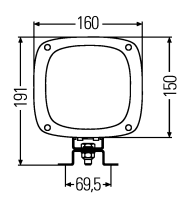
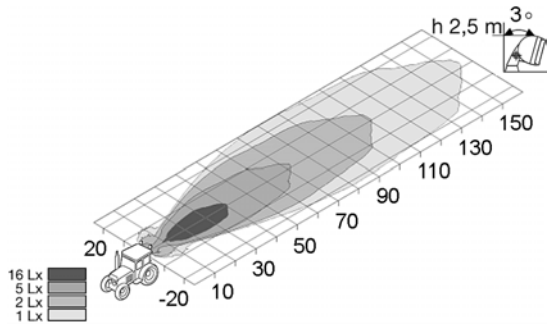
Part no.	Pk.	External-fitting work lights
<b>AS 200 Xenon</b>		
<b>Lens pattern for wide close-range illumination.</b>		
Recommended angle of inclination: 10° - 25°.		
Lens with plastic reflector bonded.		
Black plastic housing with extending edge to protect lens. With red decorative ring.		
Handle recessed into housing.		
Xenon electronic unit 42W integrated into housing.		
Pivot base with bracket for four-point mounting.		
Type of protection: IP5K4K and IPX9K.		
<b>With gas discharge bulb.</b>		
<b>Light aperture: 123 x 123 mm.</b>		
<b>Xenon-work light</b>		
1GA 996 142-001	1	with 12V ballast unit, AMP plug connector and 3100 mm long connecting lead, relay and fuse
1GA 996 142-011	1	with 24V ballast unit, AMP plug connector and 3100 mm long connecting lead, relay and fuse
1GA 996 142-021	1	with 12V ballast unit, DEUTSCH plug connector and 3100 mm long connecting lead with relay and fuse
1GA 996 142-311	1	with 24V ballast unit, DEUTSCH plug connector and black decorative ring, without connecting lead
<b>Spare parts:</b>		
1GA 990 305-001	1	Light unit
9GH 993 984-001	1	Rubber cap for AMP plug connector
8KB 990 299-121	1	3100 mm connecting lead with relay and fuse for AMP plug connector, 24V
		3100 mm long connecting lead with relay and fuse for DEUTSCH plug connector,
8KB 990 299-221	1	12V
8KB 990 299-231	1	24V
8JS 711 687-821	1	Blade-type fuses, 15A (5 pcs.)
<b>Accessories:</b>		
8JD 008 151-011	10	Socket for AMP plug connector
8KW 701 235-033	100	Blade receptacles, 6.3 mm
8HG 990 320-001	1	Bracket attachment foot
8HG 990 263-111	1	Mounting bracket for tubular mount on 15 mm - 28 mm dia. pipes
<hr/>		
1GA 996 142-141	1	With 24V ballast unit, PG-screw connection and 3000 mm long connection lead, without relay and fuse. Sealed version.
<hr/>		
1GA 996 142-241	1	With 230V ballast unit, PG-screw connection and 10,000 mm rubber cable with ground contact. Suitable in connection with current generator 230V-VSG 40W.
<hr/>		
<b>Spare parts:</b>		
1GA 990 305-001	1	Light unit
<hr/>		
1GA 996 142-041	1	With 12V ballast unit, magnet holder, PG-screw connection and 2500 mm long connection lead with plug 8JA 001 915-001. (Suitable sockets in compliance with DIN 4165)
<hr/>		
<b>Spare parts:</b>		
1GA 990 305-001	1	Light unit
8HG 004 806-001	1	Magnet holder with fixing material
9XD 130 261-001	5	Mounting bracket for magnet holder
8JS 711 687-821	1	Blade type fuse, 15A (5 pcs.)
8JA 001 915-001	10	Plug, 2-pole

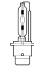


1x35W (D2S) 8GS 007 949-101

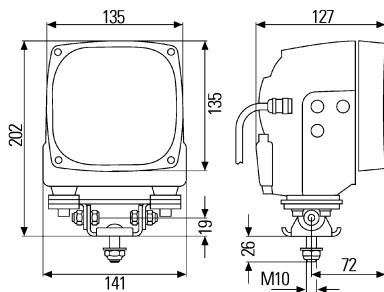
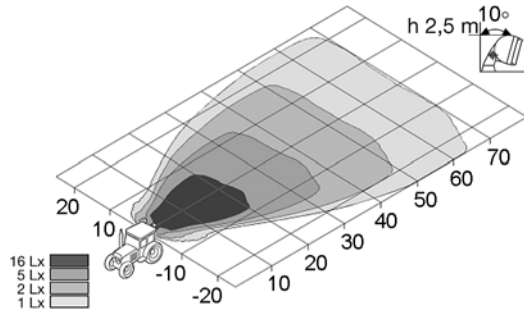
# Work Lights

123 x 123 mm



Part no.	Pk.	External-fitting work lights
<b>AS 200 Xenon</b>		
<b>Lens pattern for long-range illumination.</b> Recommended angle of inclination: 3° - 10°. Lens with plastic reflector bonded. Black plastic housing with extending edge to protect lens. With red decorative ring. Handle recessed into housing. Xenon electronic unit 42W integrated into housing. Pivot base with bracket for four-point mounting. Type of protection: IP5K4K and IPX9K.		
<b>With gas discharge bulb.</b> <b>Light aperture: 123 x 123 mm.</b>		
<b>Xenon-work light</b>		
1GA 996 142-061	1	Xenon-work light with 12V ballast unit, AMP plug connector and 3100 mm long connecting lead, relay and fuse
1GA 996 142-071	1	with 24V ballast unit, AMP plug connector and 3100 mm long connecting lead, relay and fuse
1GA 996 142-081	1	with 12V ballast unit, AMP plug connector, switch with integrated fuse and 2500 mm long connecting lead
1GA 996 142-091	1	with 24V ballast unit, AMP plug connector, switch with integrated fuse and 2500 mm long connecting lead
1GA 996 142-131	1	with 24V ballast unit, AMP plug connector and black decorative ring, without connecting lead
<b>Spare parts:</b>		
1GA 990 305-011	1	Light unit
9GH 993 984-001	1	Rubber cap for AMP plug connector
8KB 990 299-121	1	3100 mm long connecting lead with relay and fuse for AMP plug connector,
8JS 711 687-821	1	24V (for -071)
	1	Blade-type fuse, 15A (5 pcs.)
<b>Accessories:</b>		
8JD 008 151-011	10	Socket for AMP plug connector
8KW 701 235-033	100	Blade receptacles, 6.3 mm
8HG 990 320-001	1	Bracket attachment foot
8HG 990 263-111	1	Mounting bracket for tubular mount on 15 mm - 28 mm dia. pipes
1GA 996 142-151	1	With 24V ballast unit, PG-screw connection and 3000 mm long connecting lead, without relay and fuse. <b>Sealed version.</b>
1GA 996 142-251	1	With 230V ballast unit, PG-screw connection and 10,000 mm rubber cable with ground contact. <b>Suitable in connection with current generator 230V-VSG 40W.</b>
		 1x35W (D2S) 8GS 007 949-101





Part no.

Pk.

**External-fitting work lights**

**AS 400 Xenon**

**Lens pattern for ground illumination.**

Recommended angle of inclination: 10° - 25°.  
 Lens with plastic reflector bonded.  
 Black housing and red lens-retaining rim made of diecast aluminium.  
 Handle recessed into housing.  
 Xenon electronic unit 42W integrated into housing.  
 Pivot base with M10 fixing screw made of stainless steel.  
 With vibration damping.  
 Type of protection: IP5K4K and IPX9K.  
**With gas discharge bulb.**  
**Light aperture: 123 x 123 mm.**

1GA 996 242-111

1

**Xenon-work light with 24V ballast unit and 200 mm connecting lead with DEUTSCH plug connector**

1GA 990 305-001

1

**Spare parts:**

Light unit

8KB 990 299-231

1

3100 mm long connecting lead for DEUTSCH plug connector, with 24V relay and fuse

8JA 990 295-127

1

DEUTSCH plug connector, 2-pole

8JS 711 687-821

1

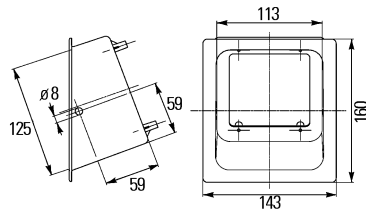
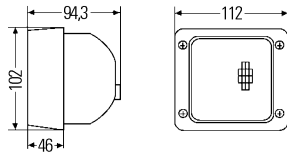
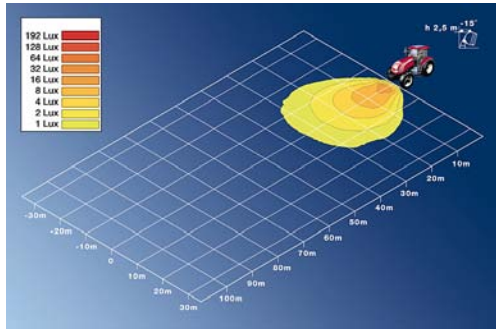
Blade-type fuse, 15A (5 pcs.)



1x35W (D1S) 8GS 009 028-001

# Work Lights

83 x 83 mm



Part no.

Pk.

## Built-in work lights

### Ultra Beam Standard with FF® reflector

#### Lens pattern for wide close-range illumination.

Recommended angle of inclination: 15° - 20°.

Double reflector made of diecast aluminium, glued to hardened glass lens.

Black plastic housing with extending edge to protect lens.

With four 3.9 x 60 mm fixing screws.

Distance between screws: 66 x 95 mm.

Mounting area: 85 x 85 mm.

**Light aperture: 83 x 83 mm.**

1GA 007 506-121

1

**FF®-H3 work light with grommet**

Type of protection: IP5K4K

1GA 007 506-111

1

**With AMP plug connector and cap.**

Type of protection: IP6K4K and IPX9K

1GA 007 506-061

1

**With AMP plug connector and 12V55W bulb, without cap and fixing screws.**

Type of protection: IP6K4K and IPX9K

1GA 007 506-431

1

**With AMP plug connector and 24V70W bulb, without cap**

1GA 998 525-001

1

#### Spare parts:

Light unit

9GH 993 984-001

20

Cap for AMP plug connector

8KB 990 299-001

1

#### Accessories:

2000 mm long connecting lead for AMP plug connector

8JD 008 151-011

10

Socket for AMP plug connector

8KW 701 235-033

100

Blade receptacles, 6.3 mm

9BG 990 353-001

1

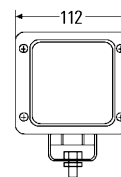
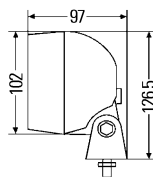
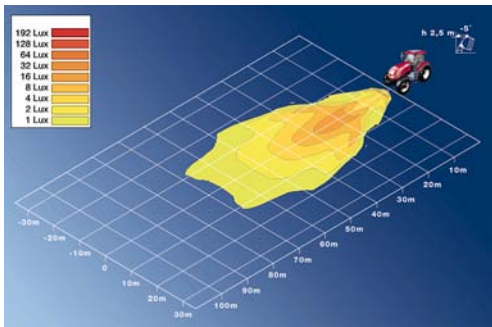
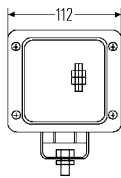
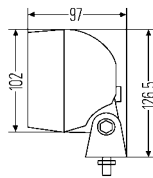
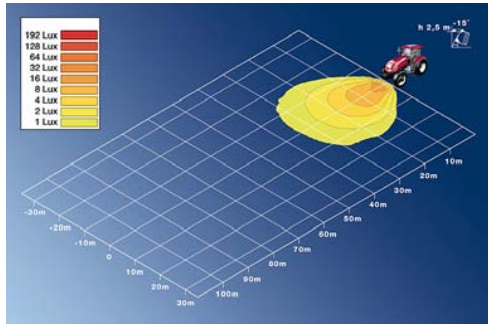
Mounting hollow, inclination 20°, (supplied without work light)

1x12V35W (H3) 8GH 002 090-271

1x12V55W (H3) 8GH 002 090-133

1x24V70W (H3) 8GH 002 090-251

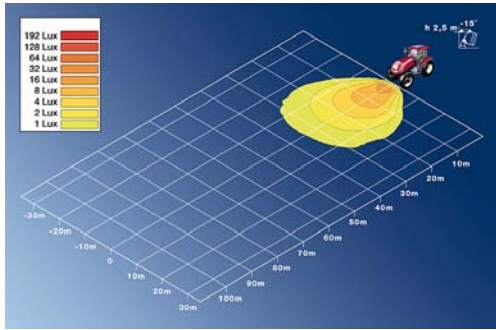




Part no.	Pk.	External-fitting work lights
<p><b>Ultra Beam Standard with FF® reflector</b>  <b>Lens pattern for wide ground illumination.</b>                      Recommended angle of inclination: 15° - 20°.                      Reflector made of diecast aluminium, glued to hardened glass lens.                      Black plastic housing with extending edge to protect lens.                      Pivot base with M10 fixing screw, for upright or pendant mounting.                      Without vibration damping.                      Pivot range vertical 130°.  <b>Light aperture: 83 x 83 mm.</b></p>		
1GA 007 506-081	1	<p><b>FF®-H3 work light with grommet</b>                      Type of protection: IP5K4K</p>
1GA 007 506-001	1	<p><b>With AMP plug connector and cap</b>                      Type of protection: IP6K4K and IPX9K</p>
1GA 007 506-391	1	<p><b>With DEUTSCH plug connector and cap</b></p>
1GA 997 506-371 1GA 997 506-377	1 18	<p><b>With magnet holder, vibration damping, PG-screw connection, 3500 mm long connecting lead with 2-pole plug and 12V35W bulb</b></p> <p><b>Spare parts:</b>                      1GA 998 525-001 1 Light unit                      9GH 993 984-001 1 Cap for AMP plug connector                      8HG 004 806-001 1 Magnet bracket                      8JA 001 915-001 1 Plug, 2-pole</p> <p>1x12V35W (H3) 8GH 002 090-271                      1x12V55W (H3) 8GH 002 090-133                      1x24V70W (H3) 8GH 002 090-251</p>
1GA 997 506-021	1	<p><b>Lens pattern for long-range illumination.</b>                      Hardened lens without optical pattern.                      With M10 fixing screw for upright or pendant mounting.                      Without vibration damping.</p> <p><b>FF®-H3 work light with AMP plug connector and cap</b>                      Type of protection: IP6K4K and IPX9K</p> <p><b>Accessories:</b>                      8JD 008 151-011 10 Socket for AMP plug connector                      8KW 701 235-033 100 Blade receptacles, 6.3 mm                      8HG 990 263-111 1 Mounting bracket for tubular mount on 15 mm - 28 mm dia. pipes                      8KB 990 299-001 1 2000 mm long connecting lead for AMP plug connector with cap                      8KB 990 299-011 24 2000 mm long connecting lead for DEUTSCH plug connector with cap</p> <p>1x12V35W (H3) 8GH 002 090-271                      1x12V55W (H3) 8GH 002 090-133                      1x24V70W (H3) 8GH 002 090-251</p>

# Work Lights

83 x 83 mm



Part no.

Pk.

## External-fitting work lights

### Ultra Beam Heavy Duty with FF® reflector

#### Lens pattern for wide close-range illumination.

Recommended angle of inclination: 15° - 20°.

Reflector made of diecast aluminium, glued to hardened glass lens.

Black plastic housing with extending edge to protect lens.

Pivot base with vibration damping and bracket for four-point mounting.

For upright or pendant mounting.

Pivot range vertical 130°.

**Light aperture: 83 x 83 mm.**

#### FF®-H3 work light

**with AMP plug connector and cap, without bulb**

Type of protection: IP6K4K and IPX9K

1GA 007 506-011

1

1GA 007 506-091

1

**With grommet, without bulb.**

Type of protection: IP5K4K

1GA 007 506-651

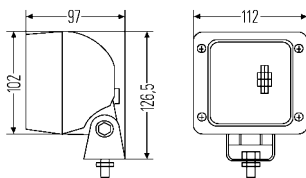
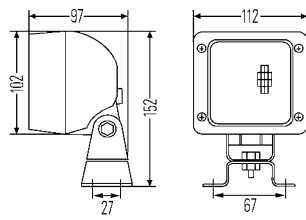
1

**With DEUTSCH plug connector, 12V55W bulb and M10 fixing screw, without cap**

1GA 007 506-491

1

**With DEUTSCH plug connector and M10 fixing screw, without bulb and cap**



1GA 007 506-451

1

**With PG-cable retention and M10 fixing screw, without bulb.**

1GA 998 525-001

1

#### Spare parts:

Light unit

9GH 993 984-001

1

Cap for AMP plug connector

8JD 008 151-011

10

#### Accessories:

Socket for AMP plug connector

8KW 701 235-033

100

Blade receptacles, 6.3 mm

8KB 990 299-001

1

2000 mm long connecting lead for AMP plug connector with cap

8KB 990 299-011

24

2000 mm long connecting lead for DEUTSCH plug connector with cap

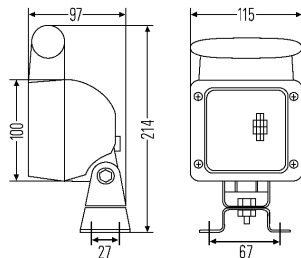
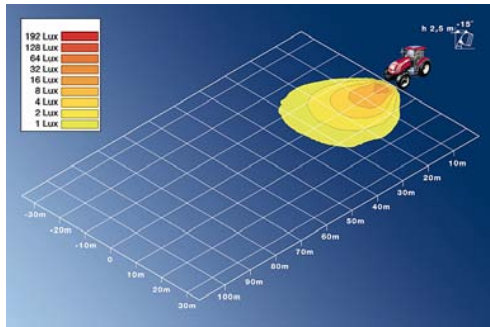
1x12V35W (H3) 8GH 002 090-271

1x12V55W (H3) 8GH 002 090-133

1x24V70W (H3) 8GH 002 090-251



Accessories see page 4.116-4.117.

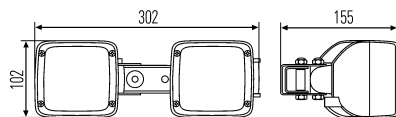
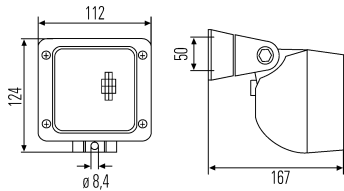
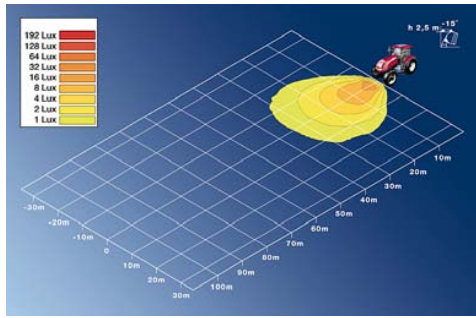


Part no.	Pk.	External-fitting work lights
<p><b>Ultra Beam Heavy Duty with FF® reflector</b></p> <p><b>Lens pattern for wide close-range illumination.</b>  Recommended angle of inclination: 15° - 20°.  Reflector made of diecast aluminium, glued to hardened glass lens.  Black plastic housing with extending edge to protect lens. With handle.  With vibration damping and bracket for four-point mounting.  For upright or pendant mounting.  Pivot range vertical 130°.  <b>Light aperture: 83 x 83 mm.</b></p>		
1GA 007 506-021	1	<p><b>FF®-H3 work light with AMP plug connector and protective cap</b>  Type of protection: IP6K4K and IPX9K</p>
1GA 007 506-101	1	<p><b>With grommet</b>  Type of protection: IP5K4K</p>
1GA 998 525-001	1	<p><b>Spare parts:</b>  Light unit  Protective cap for AMP plug connector  U-bracket</p>
9GH 993 984-001	1	
9XD 990 298-001	5	
8JD 008 151-011	10	<p><b>Accessories:</b>  2-pole socket for AMP plug connector  Blade receptacles, 6.3 mm  2000 mm long connecting lead for AMP plug connector  Mounting bracket for tubular mount on 15 mm - 28 mm dia. pipes</p>
8KW 701 235-033	100	
8KB 990 299-001	1	
8HG 990 263-111	1	
1GA 997 506-157	12	<p><b>With magnet base, cable retention, 24V70W bulb and spirally coiled cable with 3-pole plug. Stretched length of lead 3500 mm</b></p>
1GA 998 525-001	1	<p><b>Spare parts:</b>  Light unit  Plug, 3-pole</p>
8JA 002 263-031	1	
8JB 001 933-031	1	<p><b>Accessories:</b>  Socket, 3-pole for -157</p>
		<p>1x12V35W (H3) 8GH 002 090-271  1x12V55W (H3) 8GH 002 090-133  1x24V70W (H3) 8GH 002 090-251</p>

Accessories see page 4.116-4.117.

# Work Lights

83 x 83 mm



Part no.

Pk.

## External-fitting work lights

### Ultra Beam Standard with FF® reflector

#### Lens pattern for wide close-range illumination.

Recommended angle of inclination: 15° - 20°.

Reflector made of diecast aluminium, glued to hardened glass lens.

Black plastic housing with extending edge to protect lens.

With side rotary pivot base.

With M10 fixing screw for mounting on vertical surfaces.

Pivot range: horizontal 130°.

Inclination range: vertical 90°.

**Light aperture: 83 x 83 mm.**

1GA 996 083-011

1

#### FF®-H3 work light with grommet

Type of protection: IP5K4K

1GA 996 083-001

1

#### With AMP plug connector and protective cap

Type of protection: IP6K4K and IPX9K

1GA 998 525-001

1

#### Spare parts:

Light unit

9GH 993 984-001

1

Cap for AMP plug connector

8HG 990 263-001

1

#### Accessories:

Mounting bracket for tubular mount on 15 - 28 mm dia. pipes

9XD 990 298-001

5

U-bracket

8KB 990 299-001

1

2000 mm long connecting lead for AMP plug connector

8JD 008 151-011

10

Socket for AMP plug connector

8KW 701 235-033

100

Blade receptacles, 6.3 mm

1GA 996 083-021

1

#### With swivelling bow for double equipment and grommet

Type of protection: IP5K4K

1GA 998 525-001

1

#### Spare parts:

Light unit

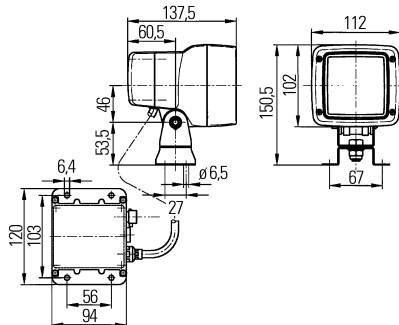
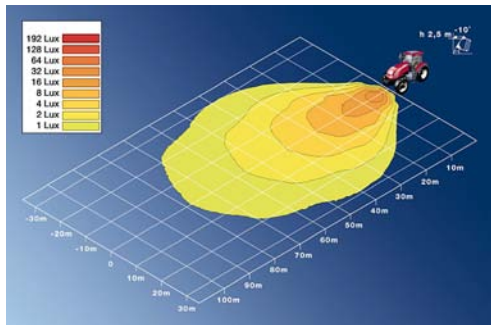
1(2)x12V35W (H3) 8GH 002 090-271

1(2)x12V55W (H3) 8GH 002 090-133

1(2)x24V70W (H3) 8GH 002 090-251







Part no.

Pk.

**External-fitting work lights**

**Ultra-Beam Xenon**

**Lens pattern for extremely wide, intense and far-reaching illumination.**

Reflector made of diecast aluminium, glued to hardened glass lens.

Black plastic housing and red lens-retaining rim.

Lens-retaining rim with extending edge to protect lens.

Pivot base with vibration damping and bracket for four-point mounting.

Mounting bracket made of stainless steel. Pivot range vertical 105°.

For upright or pendant mounting.

With 3700 mm long connecting lead, relay and 15A fuse.

Type of protection: IP5K4K.

**With gas discharge bulb.**

**Light aperture: 83 x 83 mm.**

1GA 998 534-001

1

**Xenon work light with 12V ballast unit**

1GA 998 534-011

1

**with 24V ballast unit**

**Spare parts:**

1GA 998 525-011

1

Light unit  
Ballast unit,

5DV 990 264-001

1

12V

5DV 990 264-011

1

24V

8KB 149 147-001

1

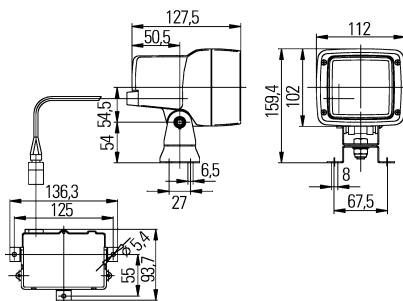
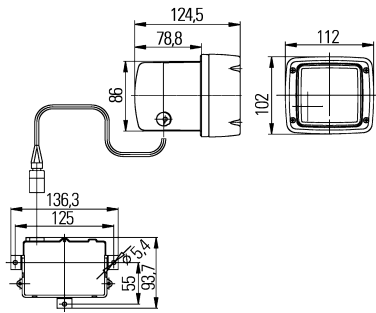
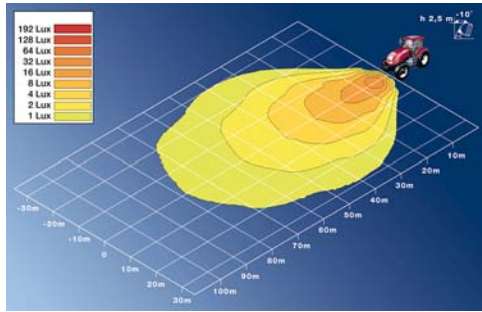
3700 mm long connecting lead from ballast unit to battery, with relay and fuse, 12V



1x35W (D2S) 8GS 007 949-101

# Work Lights

83 x 83 mm



Part no.

Vp.

## Built-in work lights

### Ultra Beam Xenon

**Lens pattern for wide, intense and far-reaching illumination.**

Reflector made of diecast aluminium, glued to hardened glass lens.

Black housing and red lens-retaining rim made of plastic.

Work light permanently connected by 3000 mm long lead with ballast unit 42W.

The lead can be disconnected from the ballast unit by means of a plug-connection.

Type of protection: IP5K4K.

**With DEUTSCH plug connector and gas discharge bulb.**

**Light aperture: 83 x 83 mm.**

1GA 998 534-541

1

### Xenon work light

**with 24V ballast unit, without connecting lead**

## External-fitting work lights

Pivot base with vibration damping and bracket for four-point mounting made of stainless steel.

Pivot range vertical 105 °.

For upright mounting.

Work light permanently connected by 3000 mm long lead with ballast unit 42W.

The lead can be disconnected from the ballast unit by means of a plug-connection.

Type of protection: IP5K4K.

1GA 998 534-221

1

### Xenon work light

**with 12V ballast unit, without connecting lead**

1GA 998 534-231

1

**with 24V ballast unit, without connecting lead**

1GA 998 534-271

1

**with 24V ballast unit and 500 mm long connector lead, without connecting lead**

### Spare parts:

Light unit

Ballast unit,

12V

1GA 998 525-071

1

5DV 008 855-001

1

5DV 008 855-007

24

5DV 008 856-001

1

5DV 008 856-007

24

24V

### Accessories:

3100 mm long connecting lead with relay, DEUTSCH plug connector and 15A fuse,

12V

8KB 990 299-221

1

8KB 990 299-231

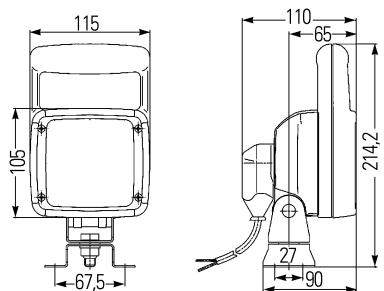
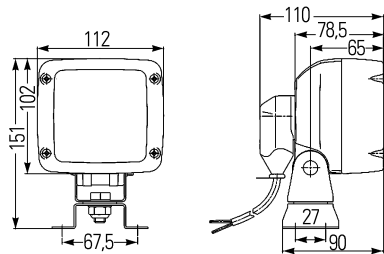
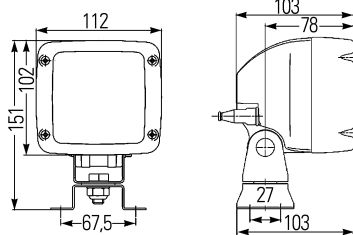
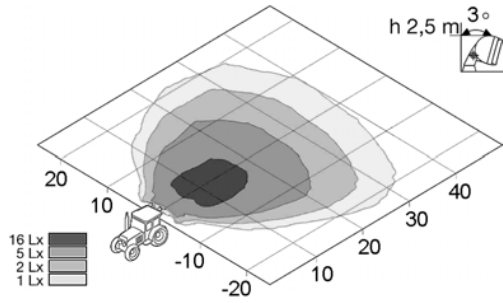
1

24V



1x35W (D1S) 8GS 009 028-001





Part no.

Pk.

**External-fitting headlights**

**Ultra Beam H9 with FF® reflector**

**Lens pattern for wide close-range illumination.**

Recommended angle of inclination: 3° - 10°.

Reflector made of diecast aluminium,

glued to hardened glass lens.

Black plastic housing with extending edge to protect lens.

Pivot base with bracket for four-point mounting, without vibration damping.

For upright mounting.

Type of protection: IP5K4K and IPX9K.

**With 12V bulb.**

**Light aperture: 83 x 83 mm.**

**FF®-H9 work light**

**with AMP plug connector and cap**

1GA 996 150-081

1

1GA 998 525-041

1

9GH 993 984-001

1

8KB 990 299-001

1

**Spare parts:**

Light unit

Cap for AMP plug connector

**Accessories:**

2000 mm long connecting lead for AMP plug connector



1x12V65W (H9) 8GH 008 357-001

1GA 996 150-021

1

**With 12V bulb, 2000 mm long connecting lead and rubber cap to cover the bulb. 12V bulb accessible from the outside.**

1GA 996 150-071

1

**With handle.**

1GA 998 525-041

1

**Spare parts:**

Light unit

8HG 990 263-111

1

**Accessories:**

Mounting bracket for tubular mount on 15 mm - 28 mm dia. pipes

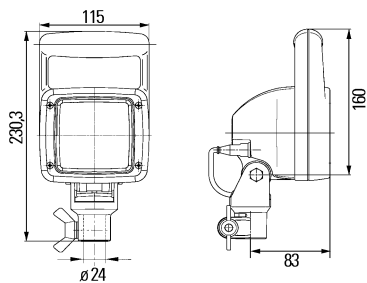
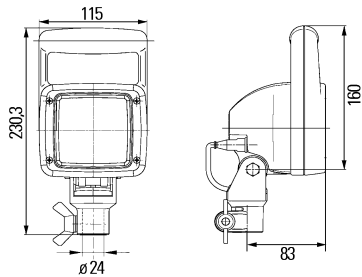
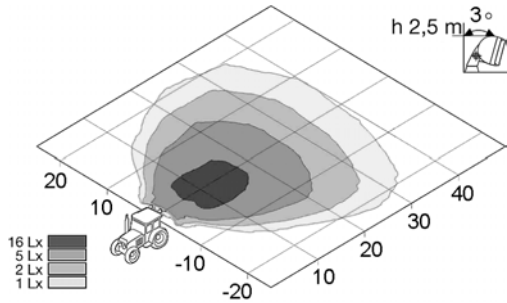


1x12V65W (H9) 8GH 008 357-001

Accessories see page 4.116-4.117

# Work Lights

83 x 92 mm



Part no.

Pk.

## External-fitting work lights

### Ultra Beam H9

**Lens pattern for wide close-range illumination.**

Recommended angle of inclination: 3° - 10°.

Reflector made of diecast aluminium, glued to hardened glass lens.

Black plastic housing and lens-retaining rim with extending edge to protect lens.

With spigot mount 24 mm dia. with integrated electrical contacts (DIN 72591).

For pendant mounting.

Type of protection: IP5K4K and IPX9K.

**Light aperture: 83 x 83 mm.**

1GA 996 150-151

1

### FF®-H9-work light

**with AMP plug connector and cap, with handle and 12V bulb**

#### Spare parts:

Light unit

Bracket attachment foot

1GA 998 525-041

1

8HG 990 320-001

1

#### Accessories:

Mounting bush, 24 mm dia.

8HG 006 294-021

1



1x12V65W (H9) 8GH 008 357-001

### Ultra Beam Heavy Duty with FF® reflector

Recommended angle of inclination: 15° - 20°.

Spigot mount 24 mm dia. with integrated electrical contacts (DIN 72591).

1GA 007 506-681

1

**With handle and 24V bulb**

#### Spare parts:

Light unit

Bracket attachment foot

1GA 998 525-001

1

8HG 990 320-001

1



1x12V35W (H3) 8GH 002 090-271

1x12V55W (H3) 8GH 002 090-133

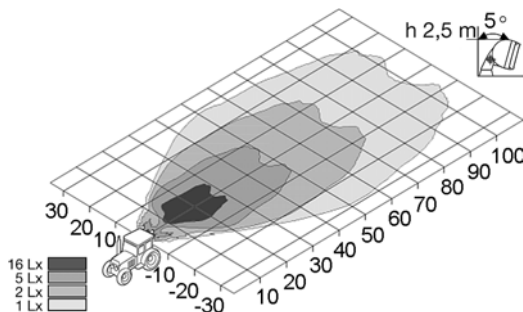
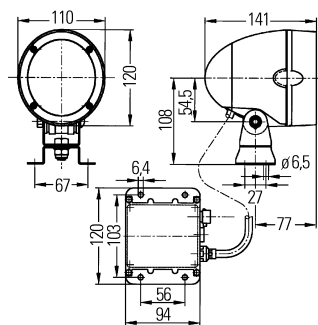
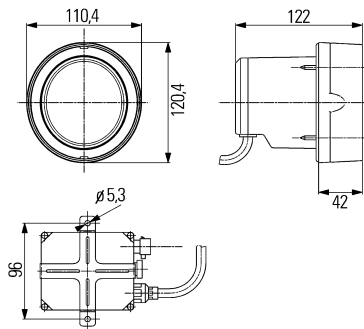
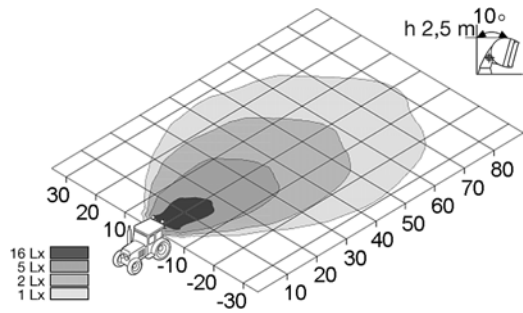
1x24V70W (H3) 8GH 002 090-251

Part no.	Pk.	Built-in work lights
	<p><b>1GM 996 134-311</b> 1</p> <p>9GH 993 984-001 1</p>	<p><b>Mega Beam with FF® reflector</b>  <b>Lens pattern for wide close-range illumination.</b>            Recommended angle of inclination: 15° - 25°. Reflector made of diecast aluminium, glued to hardened glass lens. Housing and cover ring grey. Black plastic lens-retaining rim with extending edge to protect lens. With four 3.9 x 50 mm fixing screws. Distance between screws: 70 x 70 mm. Mounting area: 83 x 93 mm. Type of protection: IP5K4K.  <b>Light aperture: 83 x 92 mm.</b></p> <p><b>FF®-H3 work light with AMP plug connector and cap</b></p> <p><b>Spare parts:</b>            Cap for AMP plug connector</p>
	<p><b>1GM 996 134-091</b> 1</p>	<p><b>FF®-H3 work light with grommet</b></p> <p>1x12V35W (H3) 8GH 002 090-271            1x12V55W (H3) 8GH 002 090-133            1x24V70W (H3) 8GH 002 090-251</p>
	<p><b>1GM 996 136-101</b> 1</p> <p><b>1GM 996 136-111</b> 1</p> <p><b>1GM 996 136-131</b> 1</p>	<p><b>External-fitting work lights</b></p> <p><b>Mega Beam LED</b>  <b>Lens pattern for close-range illumination.</b>            Recommended angle of inclination: 3° - 10°. 4-part reflector glued to pattern-free glass lens. Black finish aluminium housing with cooling ribs. Black lens-retaining rim. Blue plastic cover- and intermediate ring. Pivot base with M10 fixing screw. Without vibration damping. With 2000 mm long connection lead. Voltage range: 12V - 24V. 7W. Type of protection: IP5K9K.  <b>With four LEDs.</b>  <b>Light aperture: 83 x 92 mm.</b></p> <p><b>LED work light for upright mounting</b></p> <p><b>for pendant mounting</b></p> <p><b>for upright mounting</b>            Voltage range: 36V - 80V, 7W.            Type of protection: IP5K4K and IPX9K</p>

Accessories see page 4.116-4.117

# Work Lights

83 x 92 mm



Part no.

Pk.

## Built-in work light

### Mega Beam Xenon

**Lens pattern for close-range illumination.**  
Recommended angle of inclination: 10° - 15°.  
Reflector made of diecast aluminium, glued to hardened glass lens.  
Red housing and screw cover rim.  
Black lens-retaining rim.  
Without connecting lead.  
Work light permanently connected to ballast unit 42W by a 310 mm long lead.  
Type of protection: IP5K4K.  
**With gas discharge bulb.**  
**Light aperture: 83 x 92 mm.**

1GM 996 135-551

1  
Xenon work light with 24V ballast unit



1x35W (D2S) 8GS 007 949-101

## External-fitting work lights

### Mega Beam-Xenon

**Lens pattern for close-range illumination.**  
Recommended angle of inclination: 10° - 15°.  
Reflector made of diecast aluminium, glued to hardened glass lens.  
Black plastic housing and lens-retaining rim.  
Red plastic cover rim with extending edge to protect lens.  
Pivot base with vibration damping and bracket for four-point mounting made of stainless steel.  
Pivot range vertical 70°. For upright mounting.  
Work light permanently connected to ballast unit 42W by a 300 mm long lead.  
With 3700 mm long connecting lead, relay and 15A fuse. Type of protection: IP5K4K.  
**With gas discharge bulb.**  
**Light aperture: 83 x 92 mm.**

1GM 996 135-001

1  
Xenon work light with 12V ballast unit

1GM 996 135-041

1  
with 24V ballast unit

1GM 996 135-051

1  
Xenon work lights with 24V ballast unit

## Lens pattern for long-range illumination.

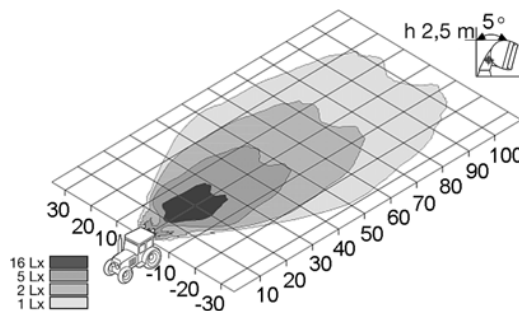
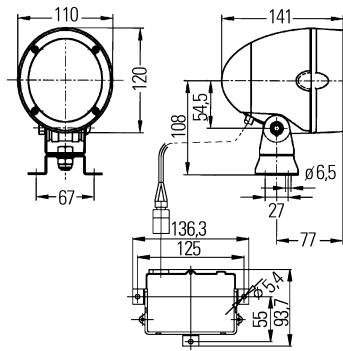
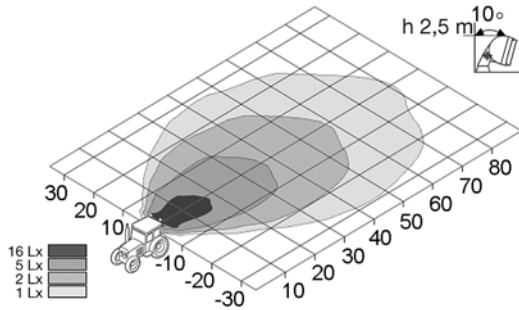
Xenon work lights with 24V ballast unit


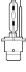
### Spare parts:

Ballast unit,  
12V  
24V  
3000 mm long connecting lead from ballast unit to battery, with relay and fuse, 12V



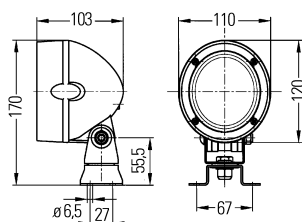
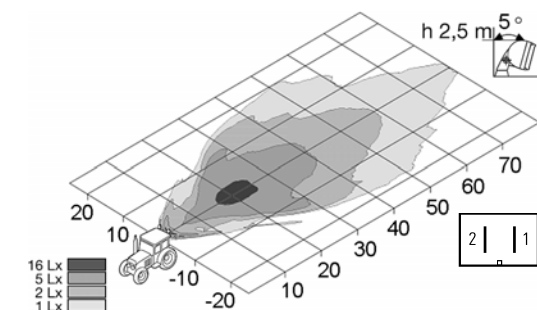
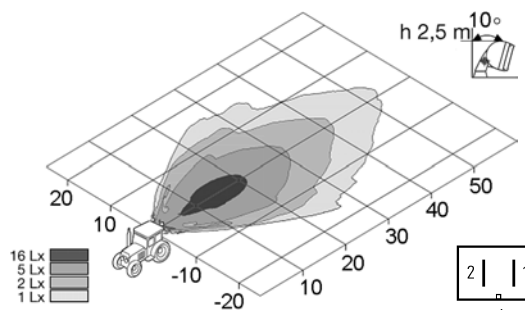
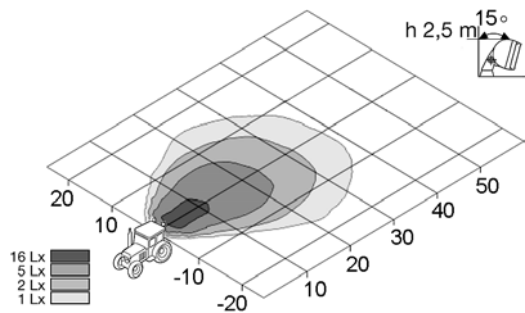
1x35W (D2S) 8GS 007 949-101



Part no.	Pk.	External-fitting work lights
<p><b>Mega-Beam Xenon</b>  <b>With optical pattern for close-range illumination.</b>                      Recommended angle of inclination: 10° - 20°.                      Reflector made of diecast aluminium, glued to hardened glass lens.                      Black housing and lens-retaining rim, red cover rim with extending edge to protect lens.                      Pivot base with vibration damping and bracket for four-point mounting made of stainless steel.                      Pivot range vertical 70°.                      For upright mounting.                      Work light permanently connected to ballast unit 42W by a 3000 mm long lead.                      The lead can be disconnected from the ballast unit by means of a plug-connection.                      Type of protection: IP5K4K.  <b>Light aperture: 83 x 92 mm.</b></p>		
1GM 996 135-101	1	<p><b>Xenon work light with gas discharge bulb, without ballast unit and connecting lead (see accessories)</b></p> <p><b>Spare parts:</b>                      1GM 990 303-151 1 Light unit                      8KB 990 299-251 1 3000 mm connecting lead between work light and ballast unit</p> <p><b>Accessories:</b>                      Ballast unit 42W, with DEUTSCH plug connector, 12V                      5DV 008 855-001 1 24V                      5DV 008 855-007 24 24V                      5DV 008 856-001 1 24V                      5DV 008 856-007 24 3100 mm connecting lead with relay, DEUTSCH plug connector and fuse 15A,                      8KB 990 299-221 1 12V                      8KB 990 299-231 1 24V</p> <p> 1x35W (D1S) 8GS 009 028-001</p>
<p><b>Optical pattern for long-range illumination.</b>                      Recommended angle of inclination: 5° - 10°.</p>		
1GM 996 135-111	1	<p><b>Xenon work light with gas discharge bulb, without ballast unit and connecting lead (see accessories)</b></p> <p><b>Spare parts:</b>                      8KB 990 299-251 1 3000 mm connecting lead between work light and ballast unit</p> <p><b>Accessories:</b>                      Ballast unit 42W, 12V                      5DV 008 855-001 1 24V                      5DV 008 855-007 24 24V                      5DV 008 856-001 1 24V                      5DV 008 856-007 24 3100 mm connecting lead with relay, DEUTSCH plug connector and fuse 15A,                      8KB 990 299-221 1 12V                      8KB 990 299-231 1 24V</p> <p> 1x35W (D1S) 8GS 009 028-001</p>

# Work Lights

83 x 92 mm



Part no.

Pk.

## External-fitting work lights

### Mega-Beam with FF® reflector

#### Lens pattern for close-range illumination.

Recommended angle of inclination: 15° - 25°.

Reflector made of diecast aluminium, glued to hardened glass lens.

Grey housing and cover rim.

Black lens-retaining rim with extending edge to protect lens.

Pivot base with vibration damping and bracket for four-point mounting.

Pivot range vertical 145°.

For upright or pendant mounting.

Type of protection: IP5K4K and IPX9K.

**Light aperture: 83 x 92 mm.**

1GM 996 134-321

1

**FF®-H3 work light with grommet**

1GM 996 134-171

1

**with AMP plug connector and cap**

9GH 993 984-001

1

#### Spare parts:

Sealing cap for AMP plug connector

#### Lens pattern for off-road illumination.

Recommended angle of inclination: 10° - 15°.

1GM 996 134-061

1

**FF®-H3 work light with grommet and lens without optical pattern**

1GM 996 134-081

1

**with AMP plug connector and cap**

9GH 993 984-001

1

#### Spare parts:

Cap for AMP plug connector

9XD 990 298-001

5

Bracket for four-point mounting



1GM 996 134-051

1

**FF®-H3 work light with grommet and lens without optical pattern**

1GM 996 134-071

1

**with AMP plug connector and cap**

9GH 993 984-001

1

#### Spare parts:

Cap for AMP plug connector

9XD 990 298-001

5

Bracket for four-point mounting

#### Accessories:

10 Socket for AMP plug connector

100 Blade receptacles, 6.3 mm

1 Mounting bracket for tubular mount

on 15 mm - 28 mm dia. pipes

2000 mm long connection lead

for AMP plug connector with cap

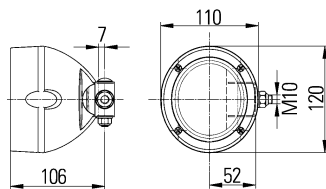
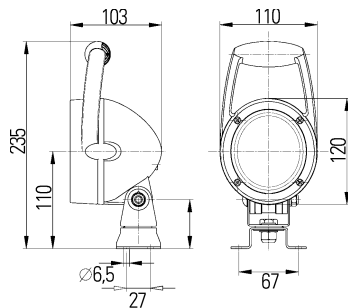
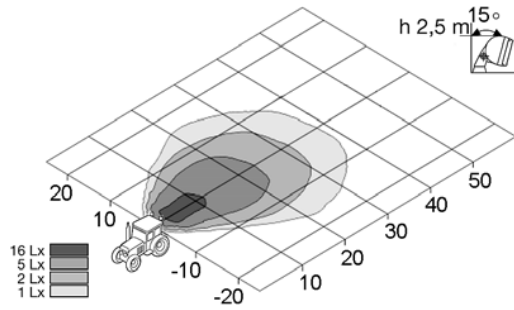
1x12V35W (H3) 8GH 002 090-271

1x12V55W (H3) 8GH 002 090-133

1x24V70W (H3) 8GH 002 090-251



Accessories see page 4.116-4.117



Part no.

Pk.

**External-fitting work lights**

**Mega Beam with FF®-reflector**

**Len spattern for close-range illumination.**

Recommended angle of inclination: 15° - 25°.

Reflector made of diecast aluminium, glued to hardened glass lens.

Grey plastic housing and cover rim, black plastic lens-retaining rim with extending edge to protect lens.

Type of protection: IP5K4K and IPX9K.

**With grommet.**

**Light aperture: 83 x 92 mm.**

1GM 996 134-241

1

**FF®-H3 work light**

**with handle, pivot base with vibration damping and mounting bracket for four-point mounting.**

**For upright or pendant mounting.**

Pivot range vertical 145°.

1GM 996 134-271

1

**With pivoting joint at the side.**

**Fixing screw M10 for mounting on vertical surfaces.**

**Pivot range vertical 90°,**

**inclination range horizontal 170°.**

**Without vibration damping, left**

1GM 996 134-371

1

**right**

8HG 990 263-111

1

**Accessories:**

Mounting bracket for tubular mount on 15 mm - 28 mm dia. pipes

1x12V35W (H3) 8GH 002 090-271

1x12V55W (H3) 8GH 002 090-133

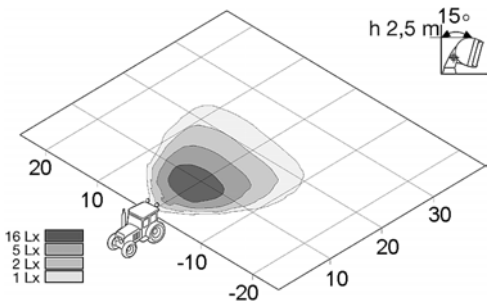

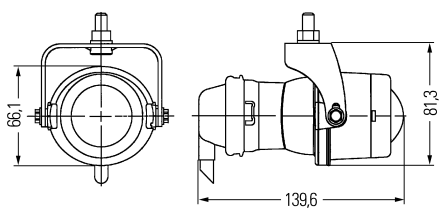
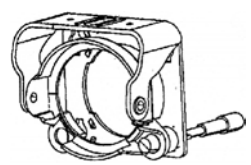
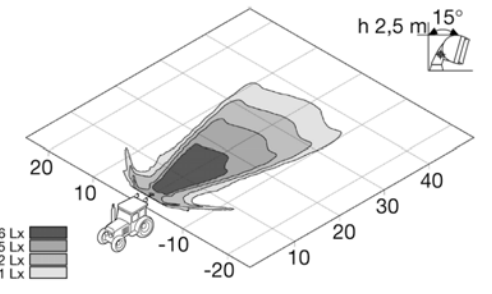

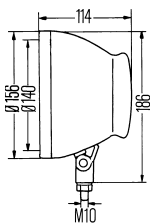
1x24V70W (H3) 8GH 002 090-251



# Work Lights

40 mm dia., 138 mm dia.



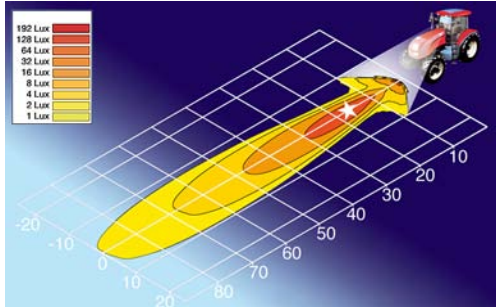
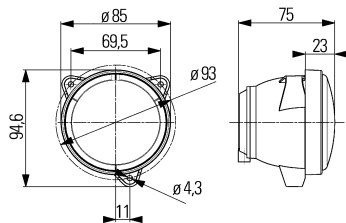
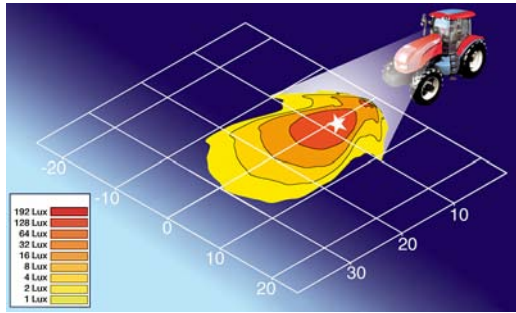
	Part no.	Pk.	External-fitting work lights
   	<p><b>1GL 008 090-201</b> <b>1GL 008 090-207</b></p> <p><b>1GL 008 090-211</b> <b>1GL 008 090-217</b></p> <p><b>9GH 147 009-007</b></p> <p><b>9HD 149 253-007</b> <b>8JD 156 150-807</b></p> <p><b>8HG 153 152-001</b></p>	<p>1 60 1 60 30 1 1 1</p>	<p><b>Micro DE® *)</b> <b>Lens pattern for close-range illumination.</b> Recommended angle of inclination: 15° - 20°. Black housing and lens-retaining rim. Lens with housing and supporting frame bonded. Black bracket with M8 fixing screw. <b>Light aperture: 40 mm dia.</b></p> <p><b>DE®-H3 work light</b> <b>with 12V55W bulb and rubber cap</b> <b>for cable entry</b></p> <p><b>with 24V70W bulb</b></p> <p><b>Spare parts:</b> Rubber cap for cable entry</p> <p><b>Accessories:</b> Plastic cap with plug connector Socket set with contacts and gaskets (20 pcs.)</p> <p>Convenience mount with adjustment screw</p> <p>1x12V35W (H3) 8GH 002 090-271 1x12V55W (H3) 8GH 002 090-133 1x24V70W (H3) 8GH 002 090-251</p>
  	<p><b>1G3 003 710-021</b></p> <p><b>9DS 121 707-001</b> <b>9BG 127 179-001</b></p>	<p>1 1 1</p>	<p><b>Proflex-Gladiator **)</b> <b>Lens pattern for close-range illumination.</b> Recommended angle of inclination: 20° - 30°. Lens with steel reflector bonded. Flexible rubber housing with extending edge to protect lens. Pivot base with M10 fixing screw. For upright or pendant mounting. Type of protection: IP5K4K. <b>Light aperture: 140 mm dia.</b></p> <p><b>H3 work light</b></p> <p><b>Spare parts:</b> Light unit Rubber housing</p> <p>1x12V35W (H3) 8GH 002 090-271 1x12V55W (H3) 8GH 002 090-133 1x24V70W (H3) 8GH 002 090-251</p>

\*) Fog lights Micro DE see page 4.03

\*\*) Headlights see page 4.52

Accessories see page 4.116-4.117





Part no.

Pk.

**Built-in work lights**

**Module 70 H3**

Reflector made of diecast aluminium, glued to hardened glass lens. Black plastic housing with three-point mounting. With rubber cap to cover the bulb and for cable entry. Type of protection: IP5K4K.

**Without bulb.**

**Light aperture: 77 mm dia.**

1G0 996 176-021

1

**H3 work light**

**with lens pattern for close-range illumination**

1G0 996 176-031

1

**Lens pattern for long-range illumination**

9HD 990 101-001

1

**Spare parts:**

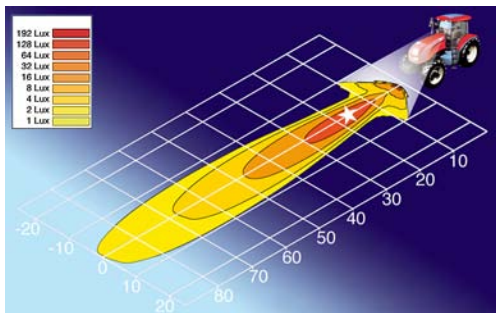
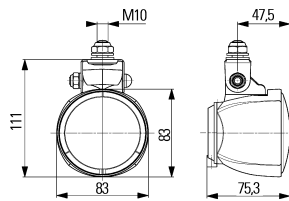
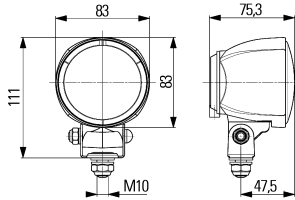
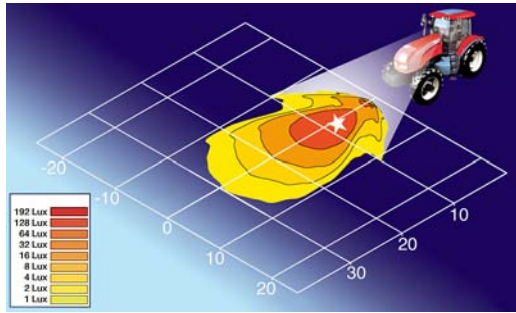
Rubber cap

- 1x12V35W (H3) 8GH 002 090-271
- 1x12V55W (H3) 8GH 002 090-133
- 1x24V70W (H3) 8GH 002 090-251



# Work Lights

77 mm dia.



Part no.

Pk.

## External-fitting work lights

### Module 70 H3

**Lens pattern for close-range illumination.**  
 Recommended angle of inclination: 10° - 20°.  
 Reflector made of diecast aluminium, glued to hardened glass lens.  
 Black plastic housing.  
 Pivot base with M10 fixing screw.  
 With rubber cap to cover the bulb.  
 Type of protection: IP5K4K.  
**Without bulb.**  
**Light aperture: 77 mm dia.**

1G0 996 176-001  
 1G0 996 176-007

1  
 24

**H3 work light  
 for upright mounting**

1G0 996 176-111

1

**for pendant mounting**

**Lens pattern for long-range illumination.**  
 Recommended angle of inclination: 5° - 10°.

1G0 996 176-011

1

**H3 work light  
 for upright mounting**

1G0 996 176-121

1

**for pendant mounting**

**Spare parts:**  
 Rubber cap

9HD 990 101-001

1

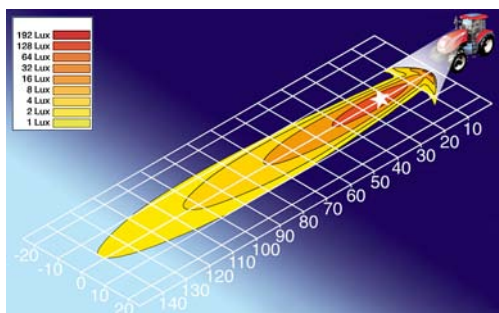
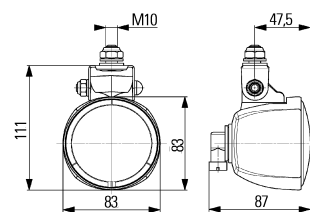
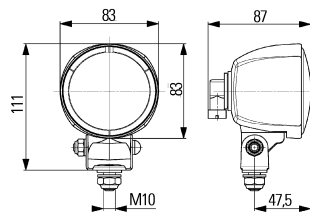
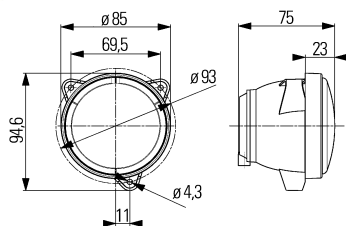
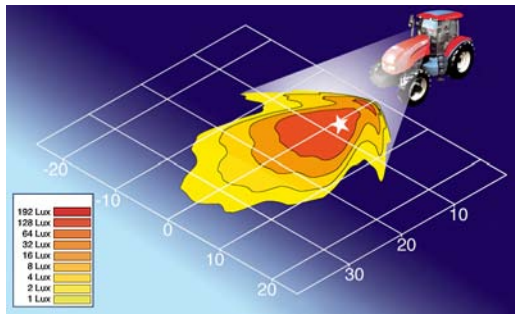
**Accessories:**  
 Mounting bracket for four-point mounting  
 Mounting bracket for tubular mount on 15 mm - 28 mm dia. pipes

9XD 990 298-001  
 8HG 990 263-111

5  
 1

- 1x12V35W (H3) 8GH 002 090-271
- 1x12V55W (H3) 8GH 002 090-133
- 1x24V70W (H3) 8GH 002 090-251





Part no.

Pk.

**Built-in work lights**

**Module 70 H9**

**Lens pattern for close-range illumination.**  
 Reflector made of diecast aluminium, glued to hardened glass lens.  
 Black plastic housing with three-point mounting. With rubber cap to cover the bulb and for cable entry.  
 Type of protection: IP5K4K.  
**With 12V bulb.**  
**Light aperture: 77 mm dia.**

1G0 996 176-061

1

**H9 work light**

**External-fitting work lights**

Recommended angle of inclination: 10° - 20°.  
 Black plastic housing.  
 Pivot base with M10 fixing screw.  
 Type of protection: IP5K4K.  
**With 12V bulb, accessible from the outside.**

1G0 996 176-041

1

**H9 work light for upright mounting**

1G0 996 176-131

1

**for pendant mounting**

1G0 996 176-171

1

**with 2000 mm long connecting lead and H9 plug, for upright mounting**

1G0 996 176-181

1

**for pendant mounting**

**Lens pattern for long-range illumination.**

Recommended angle of inclination: 5° - 10°. Without connecting lead.

1G0 996 176-051

1

**H9 work light for upright mounting**

1G0 996 176-141

1

**for pendant mounting**

**Accessories:**

9XD 990 298-001

5

Mounting bracket for four-point mounting

8HG 990 263-111

1

Mounting bracket for tubular mount on 15 mm - 28 mm dia. pipes

8JD 158 175-807

1

Socket (20 pcs.)



1x12V65W (H9) 8GH 008 357-001

# Work Lights

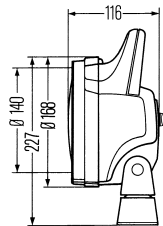
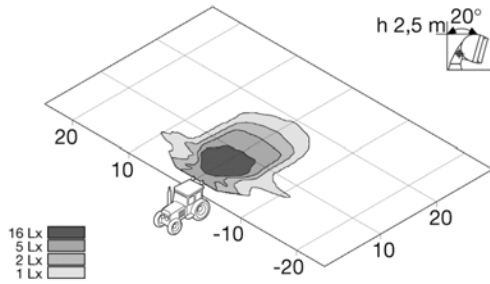
129 mm dia.



	Part no.	Pk.	External-fitting work lights
			<p><b>W131</b>  <b>Lens pattern for close-range illumination.</b>                      Recommended angle of inclination: 20° - 30°.                      Plastic lens with steel reflector bonded.                      Black plastic housing and handle, with extending edge to protect lens.                      Pivot base with M10 fixing screw for upright or pendant mounting.                      Without vibration damping.  <b>With grommet.</b>  <b>Light aperture: 129 mm dia.</b></p>
	1G3 996 001-131	1	<p><b>Work light with switch</b></p>
	1G3 996 001-001*)	1	<p><b>without switch</b></p>
			<p>1x12V35W (F2) 8GA 002 083-131                      1x24V35W (F2) 8GA 002 083-251</p>
			<p><b>With H3 light.</b>  <b>H3 work light with switch</b>  <b>without switch</b></p>
1G3 996 001-391	1	1	<p><b>H3 work light with switch</b></p>
1G3 996 001-041*)	1	1	<p><b>without switch</b></p>
			<p>1x12V35W (H3) 8GH 002 090-271                      1x12V55W (H3) 8GH 002 090-133</p>
	1G3 996 001-331	1	<p><b>Lens pattern for close-range illumination. With glass lens.</b>  <b>H3 work light with switch</b></p>
	1G3 996 001-271*)	1	<p><b>without switch</b></p>
			<p>1x12V35W (H3) 8GH 002 090-271                      1x12V55W (H3) 8GH 002 090-133                      1x24V70W (H3) 8GH 002 090-251</p>
1G3 996 001-351	1	1	<p><b>H3 work light with protective grill and switch</b></p>
1G3 996 001-301*)	1	1	<p><b>without switch</b></p>
	6EG 990 007-001 9AG 990 006-017	10 24	<p><b>Spare parts:</b>                      Switch with dust cap                      Lens-retaining rim with protective grill</p>
			<p>1x12V35W (H3) 8GH 002 090-271                      1x12V55W (H3) 8GH 002 090-133                      1x24V70W (H3) 8GH 002 090-251</p>
	8HG 990 003-001	2	<p><b>Accessories:</b>                      Mounting bracket: small, 67 mm wide</p>

\*) All work lights without switch are suitable for GGVS application

Accessories see page 4.116-4.117



Part no.

Pk.

**External-fitting work lights**

**Matador**

**Lens pattern for close-range illumination.**  
 Recommended angle of inclination: 20° - 30°.  
 Black plastic housing and protective grille with extending edge to protect lens.  
 Pivot base with bracket for four-point mounting for upright or pendant mounting.  
 Without vibration damping.  
 Pivot range vertical 130°.  
 Type of protection: IP5K4K.  
**With grommet.**  
**Light aperture: 140 mm dia.**

1G4 003 470-001

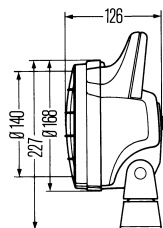
1

**H3 work light without protective grill, with splash-proof rotary switch**

1G4 003 470-011

1

**without switch**



1G4 003 470-031

1

**With protective grill and splash-proof rotary switch**

1G4 003 470-051

1

**without switch**

**Spare parts:**

9DS 121 707-001

1

Light unit

6EB 005 633-001

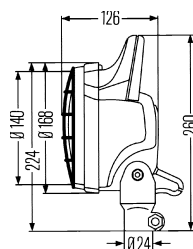
10

Rotary switch

9XD 130 261-001

5

U-bracket



1G4 003 470-147

1

**With spigot mount and 24V bulb, without switch.**  
 Electrical contacts inside tubular mount over socket (DIN 72 591).

9DS 121 707-001

1

**Spare parts:**

Light unit

1x12V35W (H3) 8GH 002 090-271

1x12V55W (H3) 8GH 002 090-133

1x24V70W (H3) 8GH 002 090-251



# Work Lights

133 mm dia.



Part no.	Pk.	External-fitting work lights
	<p><b>1G4 004 480-001</b> 1</p> <p>9XD 130 261-001 5</p> <p><b>1G4 004 480-011</b> 1</p>	<p><b>Model Torro II</b>  <b>Lens pattern for close-range illumination.</b>  Recommended angle of inclination: 15° - 30°.  Lens with steel reflector bonded.  Black plastic housing and handle.  Pivot base with bracket for four-point mounting, for upright or pendant mounting.  Without vibration damping.  Pivot range vertical 130°.  Type of protection: IP5K4K.  <b>With grommet.</b>  <b>Light aperture: 133 mm dia.</b></p> <p><b>H3 work light with splash-proof switch</b></p> <p><b>Spare parts:</b>  U-bracket</p> <hr/> <p><b>Without switch and U-bracket, pivot base with M10 fixing screw.</b></p> <p>1x12V35W (H3) 8GH 002 090-271  1x12V55W (H3) 8GH 002 090-133  1x24V70W (H3) 8GH 002 090-251</p>
	<p><b>1G4 997 033-011</b> 1</p>	<p><b>7033</b>  <b>Lens pattern for close-range illumination.</b>  Recommended angle of inclination: 10° - 30°.  Black plastic housing.  Two M6 fixing screws.  <b>Light aperture: 140 mm dia.</b></p> <p><b>H3 work light</b></p> <p>1x12V35W (H3) 8GH 002 090-271  1x12V55W (H3) 8GH 002 090-133</p>

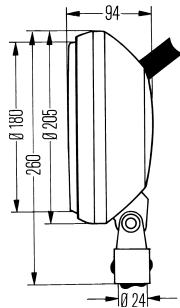
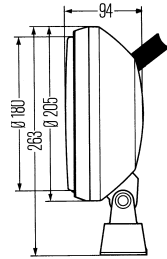
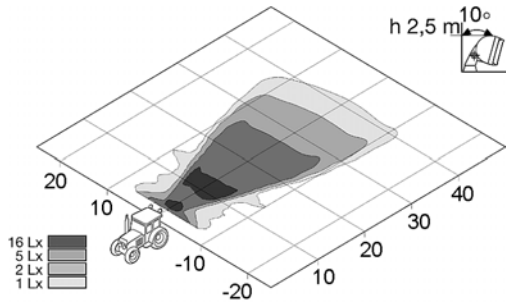
Accessories see page 4.116-4.117



	Part no.	Pk.	External-fitting work lights
	<p><b>1G5 003 241-081</b></p> <p><b>1G5 003 241-071</b></p> <p>1G5 120 510-001 6ED 708 919-001 9GD 120 670-001</p>	<p>1</p> <p>1</p> <p>1 5 10</p>	<p><b>3241</b> <b>Lens pattern for close-range illumination.</b> Recommended angle of inclination: 20° - 25°. Steel housing with matt black finish. Lens with steel reflector bonded. Rubber boot prevents lateral scattered light. Pivot base with bracket for four-point mounting, for upright or pendant mounting. Without vibration damping. Pivot range vertical 130°. Type of protection: IP5K4K. <b>With grommet.</b> <b>Light aperture: 152 mm dia.</b></p> <p><b>H3 work light with handle and splash-proof switch</b></p> <p><b>Pivot base with M10 fixing screw, without handle and switch</b></p> <p><b>Spare parts:</b> Light unit with seal Switch Seal</p>
	<p><b>1G5 003 241-021</b></p> <p>1G5 119 738-001 6ED 708 919-001 9GD 120 670-001</p>	<p>1</p> <p>1</p> <p>1 5 10</p>	<p><b>Lens pattern for far-reaching illumination.</b> Recommended angle of inclination: 15° - 20°. Type of protection: IP5K4K.</p> <p><b>With handle and splash-proof switch</b></p> <p><b>Spare parts:</b> Light unit with seal Switch Seal</p> <p>1x12V35W (H3) 8GH 002 090-271 1x12V55W (H3) 8GH 002 090-133 1x24V70W (H3) 8GH 002 090-251</p>

# Work Lights

180 mm dia.



Part no.

Pk.

## External-fitting work lights

### Lens pattern for far-reaching illumination.

Recommended angle of inclination: 10° - 20°.  
 Lens with steel reflector bonded.  
 Steel housing with mat black finish, with handle and splash-proof switch.  
 Pivot base with bracket for four-point mounting.  
 For upright or pendant mounting.  
 Without vibration damping.  
 Pivot range vertical 130°.  
 Type of protection: IP5K4K.

### With grommet.

Light aperture: 180 mm dia.

1G8 002 340-001

1

H3 work light

1G8 132 233-011

1

### Spare parts:

Light unit with lens-retaining rim

1G8 002 340-011

1

With mounting cleht for mounting on 24 mm dia. standard pin, as well as on 30 mm dia. standard pin after removing reducing sleeve from pipe fitting. 2500 mm long lead with low voltage plug 8JA 001 925-001 (Pk.2).

Type of protection: IP5K4K.

1G8 132 233-011

1

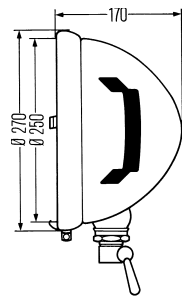
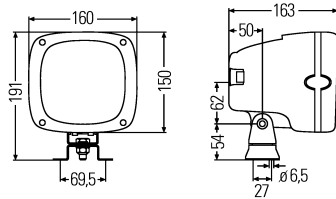
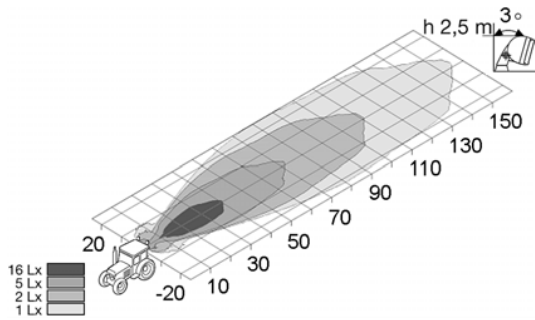
### Spare parts:

Light unit with lens-retaining rim

- 1x12V35W (H3) 8GH 002 090-271
- 1x12V55W (H3) 8GH 002 090-133
- 1x24V70W (H3) 8GH 002 090-251







Part no.

Pk.

**External-fitting work lights**

**AS 200 Xenon**

**Lens pattern for long-range illumination.**

Recommended angle of inclination: 3° - 10°.  
 Glass lens with plastic reflector bonded.  
 Black plastic housing with extending edge to protect lens. With red decorative ring.  
 Handle recessed into housing.  
 Xenon electronic unit 24V42W integrated into housing.  
 With pivot base and bracket for four-point mounting.  
 Switch with integrated fuse 15A.  
 With 2500 mm rubber tube and 2-pole low voltage plug 8JA 001 925-001.  
 Easy-to-loosen pipe fitting mount 24 mm dia., fits 30 mm dia. attachment pin in combination with joint 9XS 027 639-001.  
 Can be used with tripod 8XT 002 117-001 and 8XT 002 120-001 as well as socket 8XT 002 121-001.  
 Type of protection: IP5K4K and IPX9K.

**With gas discharge bulb.**

**Light aperture: 123 x 123 mm.**

1GA 996 142-221

1

**Xenon work light**

1GA 990 305-011

1

**Spare parts:**

8JA 001 925-001

1

Plug, 2 pole

8JS 711 687-821

1

Blade-type fuse, 15A (5 pcs.)

9XS 027 639-001

1

**Accessories:**

Joint



1x35W (D2S) 8GS 007 949-101

**Conforms to DIN 14 644.**

Flat lens without optical pattern. Steel reflector.  
 Black finish steel housing and lens retaining rim.  
 Two side handles, built-in switch.  
 2500 mm long lead with low voltage plug 8JA 001 925-001 (Pk. 2).  
 Easy-to-loosen pipe fitting mount 24 mm dia., fits 30 mm dia. attachment pin in combination with joint 9XS 027 639-001.  
 Can be used with tripod 8XT 002 117-001 and 8XT 002 120-001 as well as socket 8XT 002 121-001.  
 Type of protection: IP5K4K.  
**Light aperture: 250 mm dia.**

**750 m range with 12V55W  
 800 m range with 24V70W.**

1G9 001 523-021

1

**H3 work light**

1x12V35W (H3) 8GH 002 090-271  
 1x12V55W (H3) 8GH 002 090-133  
 1x24V70W (H3) 8GH 002 090-251



# Work Lights

## Accessories



















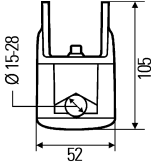
	<b>Part no.</b>  <b>8XT 002 120-001</b>	<b>Pk.</b>  1	<b>For work lights</b> <b>1G9 001 523-021 and 1G8 002 340-011</b>  <b>Tubular steel pipe</b> Extends from 1263 mm to 2200 mm, with 30 mm dia. attachment pin, can be welded onto vehicle or fastened with clights.  <b>Tubular steel pipe</b>
	<b>8XT 002 117-001</b>	1	<b>Tubular steel tripod</b> Extends from 1051 mm to 1650 mm. 30 mm dia. attachment pin.  <b>Tubular steel tripod</b>
	<b>9XS 027 639-001</b>	1	<b>Joint/reducer</b> Can be swivelled and pivoted as required, with arresting device through handle, with 24 mm dia. attachment pin and 30 mm dia. attachment sleeve.  <b>Joint</b>
	<b>8HG 159 455-001</b>	1	<b>Universal holder</b> for work lgts. 30 mm dia. attachment sleeve.  <b>Universal holder</b>
	<b>8XT 002 121-001</b>	1	<b>Socket</b> For mounting work light on vehicle roof or other horizontal body surface, with 30 mm dia. attachment pin.  <b>Socket</b>

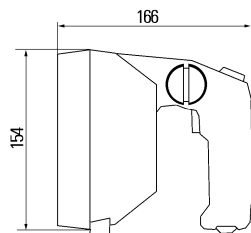
Image	Part no.	Pk.	Description
	8HG 002 365-001	1	<b>Mounting bushes 24 mm dia.</b> for Matador 1G4 003 470-147, Ultra Beam 1GA 007 506-681 and bracket attachment foot 8HG 990 320-001. With socket to DIN 72 591 and rubber protective cap. Ground contact through the pipe. For mounting beacon on support side of the vehicle or for welding to a flange, 24 mm dia., approx. 100 mm.
	8HG 006 294-101	1	<b>Mounting bush, complete</b> with separate ground connection
	8HG 096 531-007	2	<b>Spare parts:</b> Mounting bush for -001
	8JB 850 434-011	10	Socket for -001
	9GH 096 532-001	10	Rubber cap
	8HG 006 294-051	1	<b>With screw fixing</b>
	8HG 006 294-091	1	<b>with separate ground connection</b>
	8HG 006 294-011	1	<b>For screwing onto horizontal cabin roofs (on top)</b>
	8HG 006 294-021	1	<b>For screwing onto horizontal cabin roofs (on side)</b> With 90 mm mounting bracket
	8HG 006 294-111	1	with 50 mm mounting bracket
	8HG 006 294-031	1	<b>Swivelling holder, for screwing onto horizontal cabin roofs (on top or on side)</b>
	8HG 006 294-041	1	<b>Telescopic holder for screwing onto back of cabin roof</b> Length: 1000 mm. Extension: 700 mm.
	8HG 990 368-001	1	<b>Black mounting bush with M8 thread</b>
	8HG 990 368-007	50	Length: 220 mm.
	9XD 990 284-001	1	<b>Push-on pipe</b> With stopper for screwing to vertical vehicle surfaces (side). With protective cap, 1-pole socket and wiring harness with ground contact. Attachment using two M8 bolts.
	8JB 850 434-011	10	<b>Spare parts:</b> Socket
	9GH 096 532-001	10	Rubber stopper
	9NM 863 332-001	1	<b>Accessory group</b> For work lights with tubular fitting or flexible base. Contents: Wing nut with screw and washer.

	<p>Part no.</p> <p>8HG 990 320-001</p>	<p>Pk.</p> <p>1</p>	<p><b>Bracket attachment foot</b></p> <p>For combination with attachment tubes 8HG 002 365-001 and 8HG 006 294-...</p> <p>To fit surface-mount work lights Ultra-Beam FF 1GA 007 506-..., 1GA 997 506-... Ultra Beam H9 1GA 996 150-... Mega-Beam FF 1GA 996 134-... Oval 100 FF 1GA 996 161-... AS 200 FF 1GA 998 532-... AS 200 Xenon 1GA 996 142-... with AMP plug connector or grommet.</p> <p>Electrical contacting within the pipe socket via socket in accordance with DIN 72 591.</p> <p><b>Bracket attachment foot</b></p>
 	<p>8HG 990 263-111</p>	<p>1</p>	<p><b>Universal bracket</b></p> <p>To fit surface mount work lights Oval 100 FF 1GA 996 161-..., 1GA 996 361-... Oval Xenon Integral 1GA 996 261-... Picador FF 1GA 006 876-..., 1GA 998 522-... AS 200 FF 1GA 998 532-... AS 200 Xenon 1GA 996 142-... Ultra-Beam FF 1GA 007 506-..., 1GA 997 506-... Ultra Beam H9 1GA 996 150-... Mega-Beam FF 1GA 996 134-... Modul 70 H3/H9 1G0 996 176-...</p> <p>Rotatable universal bracket for attachment to 15 mm - 28 mm dia. pipes. For replacement on worklights with 36 mm bracket attachment. With 2 additional narrow spacers for exchange against wide spacers with/without vibration damping on worklights with 42 mm bracket attachment.</p> <p><b>Universal bracket</b></p>

	<p><b>Part no.</b></p> <p><b>8HG 004 806-001</b></p>	<p><b>Pk.</b></p> <p>1</p>	<p><b>Magnet base</b></p> <p>For work lights with U-bracket.</p> <p><b>Consists of:</b> 2 magnets and fixing material</p> <p><b>Magnet base</b> for U-bracket 9XD 130 261-001</p>
	<p><b>9XD 130 261-001</b></p>	<p>5</p>	<p><b>U-bracket for four-point mounting</b> for external-fitting headlights and work lights with M10 fixing screw.</p> <p><b>U-bracket</b> <b>made of stainless steel</b></p>
	<p><b>9XD 990 298-001</b></p>	<p>5</p>	<p><b>U-bracket</b> <b>made of yellow chromised steel</b></p>
	<p><b>6ZN 160 705-001</b> <b>6ZN 160 705-011</b></p>	<p>1 1</p>	<p><b>Universal radio remote control unit</b></p> <p>The remote control unit is ECE type tested and carries the RF suppression symbol. The alternating code feature excludes interference with other remote controls. The convenient way to switch work lights by remote control. Maximum switching capacity: 2 x 120W.</p> <p><b>With green control diode for on-off switching control.</b></p> <p><b>Universal radio remote control unit,</b> <b>12V</b></p> <p><b>24V</b></p>

# Searchlights

139 mm dia.



Part no.

Pk.

## Hand-held searchlight

Black plastic housing, lens-retaining rim, handle and supporting base.  
 Extending lens-retaining rim protects the lens.  
 Glass lens without optical pattern.  
 Double reflector made of aluminium.  
 Two light sources, can be switched via switches which are independent of each other.  
 Flip switch for continuous light and pistol switch in the handle with Morse function for additional light.  
 Handle can be swivelled vertically by 70°. With closable opening for plugging onto the separate supporting base. Can be swivelled horizontally by 360° on the supporting base.  
 Supporting base with 3 fixing screws.  
 With 12V bulbs, conversion to 24V is possible.  
 Spiral cable 3500 mm long with universal plug for cigarette lighter sockets or ISO sockets.  
 Type of protection: IPX6K.  
**Light aperture: 139 mm dia.**

### Range at 12V:

**Continuous light 330 m,  
 additional light 350 m,  
 continuous light with additional light 480 m**

1H5 998 502-002

1

Hand-held searchlight

8HG 998 519-002

1

### Spare parts:

Supporting base with fixing screws

9SG 998 005-002

1

Handle with switch, spirally cable and plug

8JA 001 921-102

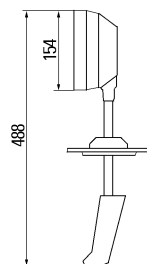
12

Plug



12V55W (H3) 8GH 002 090-133

24V70W (H3) 8GH 002 090-251



1H5 998 502-022

1

## Cabin-controlled searchlight

Black plastic housing, lens-retaining rim, handle and tie rod end.  
 Guide tube made of stainless steel.  
 Projecting lens-retaining rim protects the lens.  
 Glass lens without optical pattern.  
 Double reflector made of aluminium.  
 Flip switch in the handle switches both bulbs simultaneously.  
 The searchlight can be swivelled through 360° in the horizontal range and through 30° in the vertical range. Mounting area: 72 mm dia.  
 Connecting cable 330 mm long with grommet led out of the guide tube.  
 Type of protection: IP5K4K.  
**Light aperture: 139 mm dia.**

**Range at 12V: 460 m,  
 range at 24V: 520 m.**

**Cabin-controlled searchlight  
 with 181 mm long guide tube  
 and 12V55W bulbs**

1H5 998 502-051

1

**with 233 mm long guide tube  
 and 24V70W bulbs**



2x12V55W (H3) 8GH 002 090-133

2x24V70W (H3) 8GH 002 090-251